

AREBOS

Workshop stool

AR-HE-WH136



Please follow all security measures in this user's manual to ensure a secure use.

Thank you for trusting in AREBOS.

Please read and save these instructions. Read through this user's manual carefully before using this product. Protect yourself and others by observing all safety information, warnings and cautions. Failure to comply with instructions could result in personal injury and/or damage to product or property. Please retain instructions for future reference.

Introduction

- This product has many features for making the use of this product more pleasant and enjoyable. Safety, performance and dependability have been given top priority in the design of this product making it easy to maintain and operate.
- **WARNING:** Do not attempt to use this product until you thoroughly read and completely understand the operator's manual. Pay close attention to the safety rules, including Dangers, Warnings, and Cautions. If you use your product properly and only as intended, you will enjoy years of safe, reliable service.

General Safety Rules

- **Work area conditions.** Cluttered areas invite injuries.
- **Check for damaged parts.** Before using any tool, any part that appears damaged should be carefully checked to determine that it will operate properly and perform its intended function. Any part that is damaged should be replaced.

! WARNING: The warnings, cautions, and instructions discussed in this instruction manual cannot cover all possible conditions and situations that may occur. It must be understood by the operator that common sense and caution are factors which cannot be built into this product, but must be supplied by the operator.

Unpacking

- Carefully remove the tool and accessories from the box.
- Make sure that all items listed in the packing list are included.
- Inspect the tool carefully to make sure no breakage or damage occurred during shipping.
- Do not discard the packing material until you have carefully inspected and satisfactorily operated the tool.

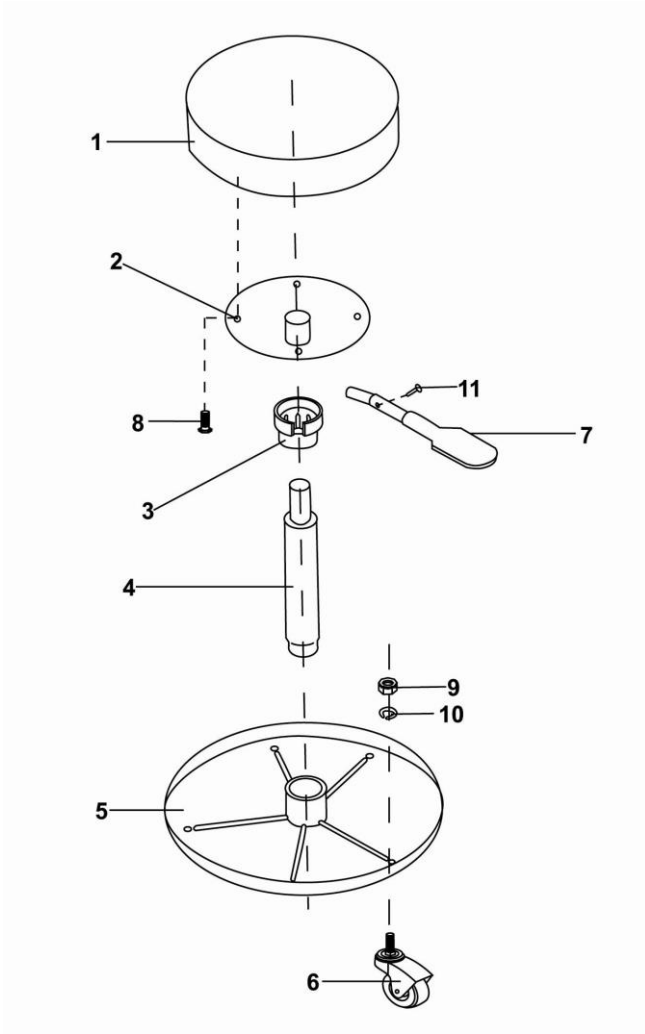
Assembly Instructions

- Attach handle (7) to supporting plate (2) using rivet: diameter 3 X 8
- Connect supporting plate (2) to seat cushion (1) using truss head bolt M6 x 20.
- Attach wheels (6) to tool tray (5) using cap nuts and lock washer.
- Connect hub (3) to supporting plate (2).
- Insert the bottom of lifting pole (4) to tool tray (5) and the insert the top of lifting pole to hub (3).
- Tighten all fasteners.

Parts List

REF #	Description	QTY
1	Seat Cushion	1
2	Supporting Plate	1
3	Hub	1
4	Lifting Pole	1
5	Tool Tray	1
6	2 ½ Wheel	5
7	Handle	1
8	Truss Head Bolt M6 X 20	4
9	Cap Nut	5
10	Lock Washer dia. 10	5
11	Rivet dia. 3 x 18	1

Exploded Diagram



Spécifications

Model	AR-HE-WH136
Charge max.	136 kg
Material	Chrome plated Steel, PVC
Net Weight	5 kg

Disposal instructions

Disposal of the packaging

- Please make reference to the guidelines and standards for appropriate disposal of the packaging valid in your region. In part, the package may consist of plastic bags - watch this respect, with special care to ensure that this is not out of the reach of children. There is a risk of suffocation!

Disposal of waste equipment

- Equipment must be disposed of in accordance with the rules and regulations of the local waste disposal.
- At the end of the long life of your article, please dispose of the valuable raw materials for proper disposal so that proper recycling can take place. If you are not sure how to proceed, the local waste disposal companies or recycling centres are happy to help.

Our customer service number: +49 (0) 931-45232700

Imprint

Name of the product: Workshop Stool
Art. Nr.: 4260199757420
Model Nr.: AR-HE-WH136

If the product has any modification not allowed by us, this declaration loses its validity.

Date/Manufacturer Signature/Location:

Würzburg, 08.05.2019



Identification of the signatory:
Korhan Canbolat, head of the company

Authorised representative for the technical documentation:
Korhan Canbolat

Office address:
Canbolat Vertriebs GmbH
Gneisenastr. 10
97074 Würzburg

Return address can be found in the imprint: <https://www.arebos.de/impressum/>

VAT identification number: DE 263752326
Court of the Commercial Register is Würzburg, HRB 10082
WEEE Reg.-No. DE 61617071