

AREBOS

Toilet seat

AR-HE-TDO/-TDOK



Please follow all safety measures in this user manual to ensure safe use.

Thank you for your trust in AREBOS.

Table of contents

1 Safety	3
1.1 Explanation of the symbols	3
1.2 Intended use.....	3
1.3 General safety instructions	3
2 Part Names and technical data.....	4
2.1 Part Names	4
2.2 Technical Data	4
3 Assembly	5
4 Maintenance and care.....	6
5 Environmentally friendly disposal	6
5.1 Disposal and packaging	6
Imprint.....	7

Thank you for choosing our product. Please read the user manual carefully before using the product for the first time. If you give the product to a third party, this instruction must be passed with them. Keep the instruction manual for future reference. The drawings in this manual may not match the physical objects. Please refer to the physical objects.

1 Safety

1.1 Explanation of the symbols



Warning! Read the safety instructions carefully. Failure to follow safety precautions may result in serious injury or damage. Keep the instruction manual in a safe place.

1.2 Intended use

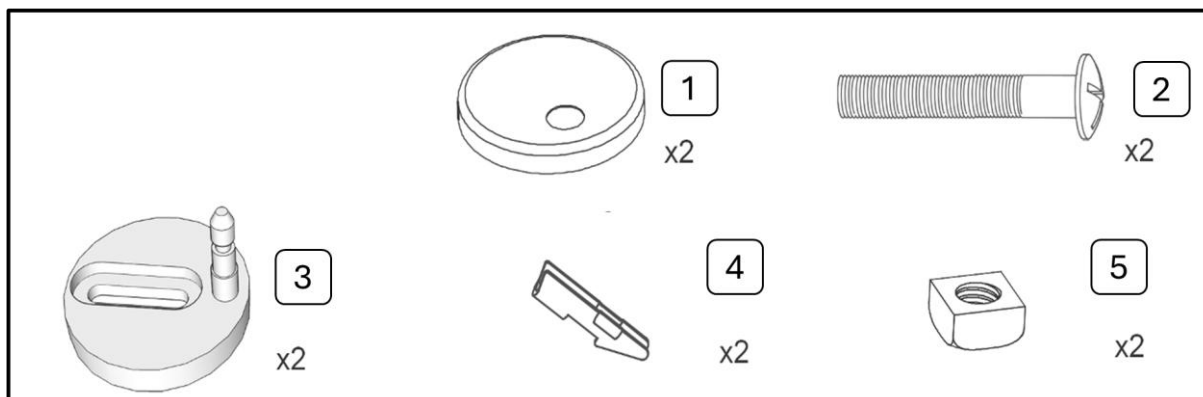
This toilet seat is intended for domestic use only and is compatible with most standard toilets.

1.3 General safety instructions

- Please note the following points in this manual when assembling. Improper installation can lead to safety risks.
- Before starting assembly, make sure that all components are in place.
- Do not drop the toilet seat during installation to avoid possible damage.
- For your safety, do not stand on the toilet seat as it could crack or break.
- Do not force the toilet seat or lid as this could affect the cushioning.
- Make sure that children do not put pressure on the lid.
- The toilet seat is designed for a load of up to 150 kg. Exceeding this limit may result in injury or damage.

2 Part Names and technical data

2.1 Part Names



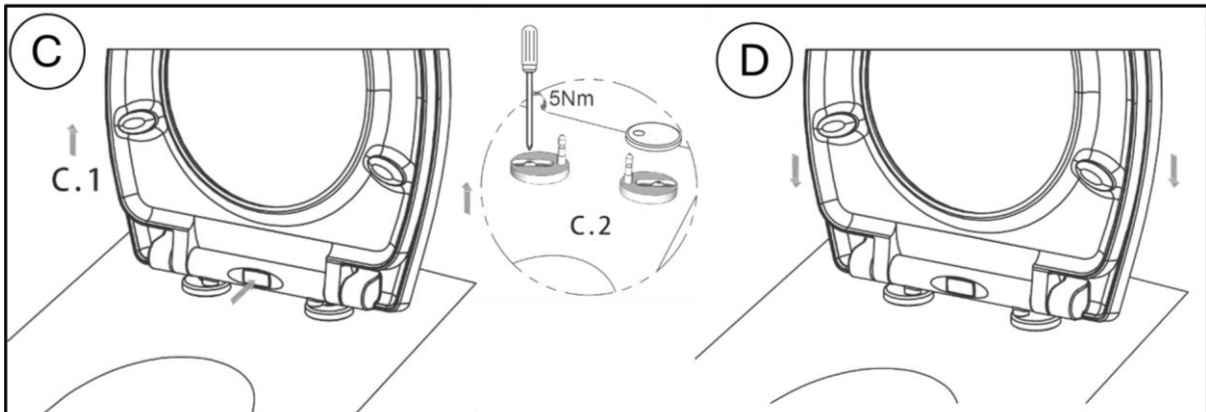
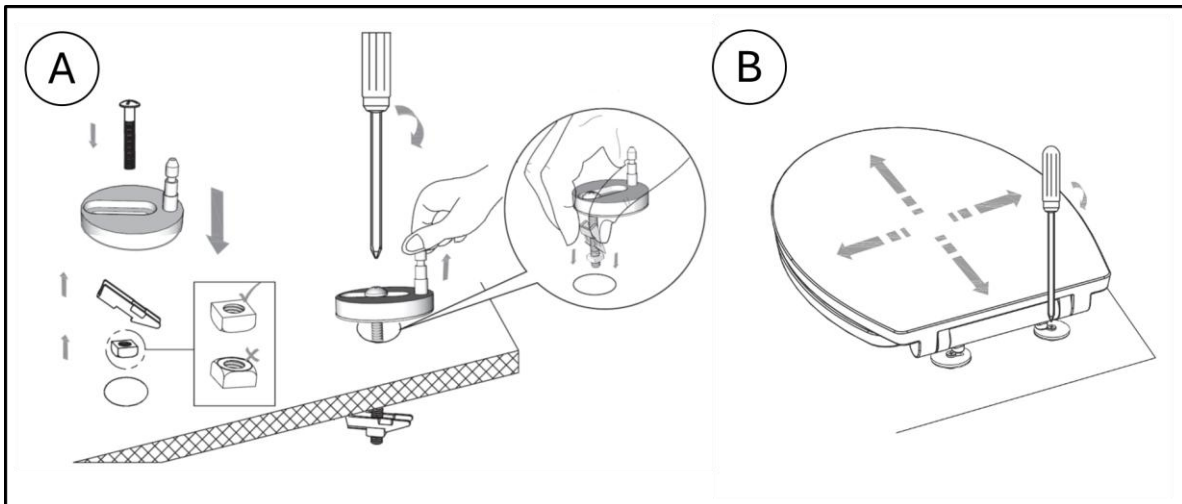
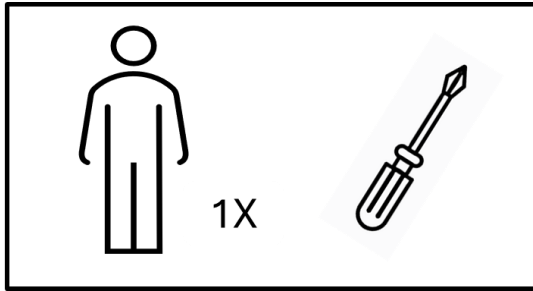
- 1) 2X Stainless steel covers
- 2) 2X screws

- 3) 2X Hinge bases
- 4) 2X T-gaskets
- 5) 2X Square nuts

2.2 Technical Data

		
EAN	4252023130028	4252023130035
Model	AR-HE-TDO	AR-HE-TDOK
Overall Dimensions	373X445X40mm	373 x 445 x 40 mm
Maximum load	150 kg	150 kg
Material	Duroplast	Duroplast

3 Assembly



Required:

- 1) 1 person
- 2) Phillips screwdriver

Step A: Install the Hinge Bases

- 1) Insert the **T-gaskets (4)** into the mounting holes of the toilet bowl.
- 2) Place the **hinge bases (3)** on top of the mounting holes.
- 3) Insert the **screws (2)** through the hinge bases from above.
- 4) From underneath the toilet bowl, fasten the **square nuts (5)** onto the screws.
Do not fully tighten yet.

⚠ Repeat this step for both sides.

Step B: Adjust the Position

- 1) Before tightening, slide the hinge bases forward/backward and left/right.
- 2) Align the hinge bases so the toilet seat will be centered and symmetrical.

Step C: Tighten the Screws

- 1) Confirm the hinge bases are correctly positioned.
- 2) Fully tighten the screws using a screwdriver.
Recommended tightening torque: **5 Nm**.
Do not overtighten.

Step D: Install the Toilet Seat

- 1) Align the **stainless steel covers (1)** with the hinge bases.
- 2) Press the toilet seat straight down until it clicks into place.
- 3) Check that the seat is securely installed and opens and closes smoothly.

4 Maintenance and care

To clean, use a damp cloth with a standard bathroom cleaner.
Do not use abrasive cleaners.

5 Environmentally friendly disposal

Warning: Choking hazard! Packaging material is dangerous for children. Never let children play with packaging materials.

5.1 Disposal and packaging

- The packaging of the item is made of materials necessary to ensure effective protection during transport. These materials are fully recyclable and thus reduce the environmental impact. Dispose of the packaging in a bin for recyclable materials.

Our customer service number: Tel. +44 208 068 5604

Email: info@arebos.co.uk

AREBOS GmbH • Industriestr. 24 • 97297 Waldbüttelbrunn

Imprint

Product Name: Toilet Seat
Model Number: AR-HE-TDO/-TDOK
Item number: 4252023130028, 4252023130035

If the product has a modification that has not been approved by us, this statement will lose its validity.

Date/Manufacturer's signature/Location:

Würzburg 30 Januar 2026



Signer identification:
Korhan Canbolat, Head of the Company

Technical Documentation Representative:
Korhan Canbolat

Office Address:
AREBOS GmbH Industriestr. 24 | 97297 Waldbüttelbrunn | Germany

The return address can be found in the imprint: <https://www.arebos.de/impressum/>