

AREBOS

Toilet seat

AR-HE-TDO/-TDOK/-TDD



Please follow all safety measures in this user manual to ensure safe use.

A collection of various tools is scattered on a dark wooden surface. The tools include a hammer with a wooden handle, a pair of pliers with black handles, a utility knife with an orange handle, several hex keys, and a metal bracket. The tools are arranged in a way that suggests a workshop or a repair project.

Thank you for your trust in AREBOS.

Table of contents

1 Safety	3
1.1 Explanation of the symbols	3
1.2 Intended use.....	3
1.3 General safety instructions	3
2 Scope of delivery and technical data ...	4
2.1 Scope of Delivery.....	4
2.2 Technical Data	4
3 Assembly	5
4 Maintenance and care.....	5
4.1 Cleaning	5
5 Environmentally friendly disposal	6
5.1 Disposal and packaging	6
Imprint.....	6

Thank you for choosing our product. Please read the user manual carefully before using the product for the first time. If you give the product to a third party, this instruction must be passed with them. Keep the instruction manual for future reference. The drawings in this manual may not match the physical objects. Please refer to the physical objects.

1 Safety

1.1 Explanation of the symbols



Warning! Read the safety instructions carefully. Failure to follow safety precautions may result in serious injury or damage. Keep the instruction manual in a safe place.

1.2 Intended use

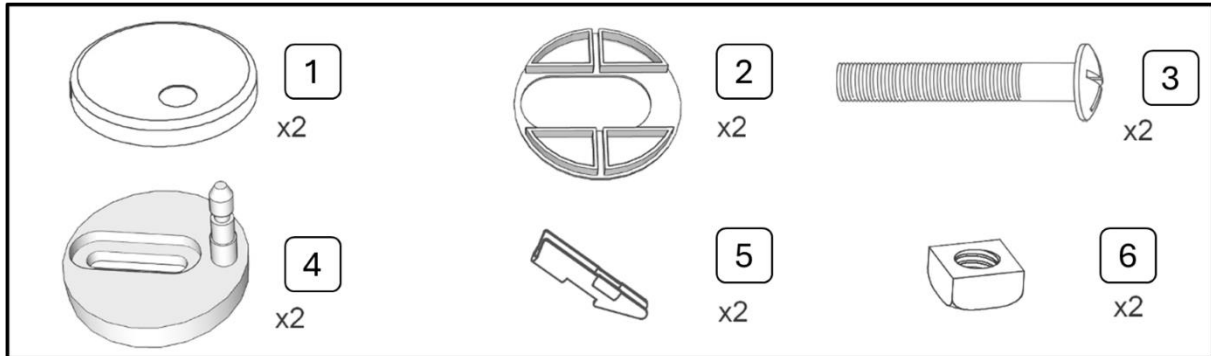
- This toilet seat is suitable for mounting on almost all commercially available toilets.

1.3 General safety instructions




- Please note the following points in this manual when assembling. Improper installation can lead to safety risks.
- Before starting assembly, make sure that all components are in place.
- Do not drop the toilet seat during installation to avoid possible damage.
- For your safety, do not stand on the toilet seat as it could crack or break.
- Do not force the toilet seat or lid as this could affect the cushioning.
- Make sure that children do not put pressure on the lid.
- The toilet seat is designed for a load of up to 150 kg. Exceeding this limit may result in injury or damage.

2 Scope of delivery and technical data

2.1 Scope of Delivery

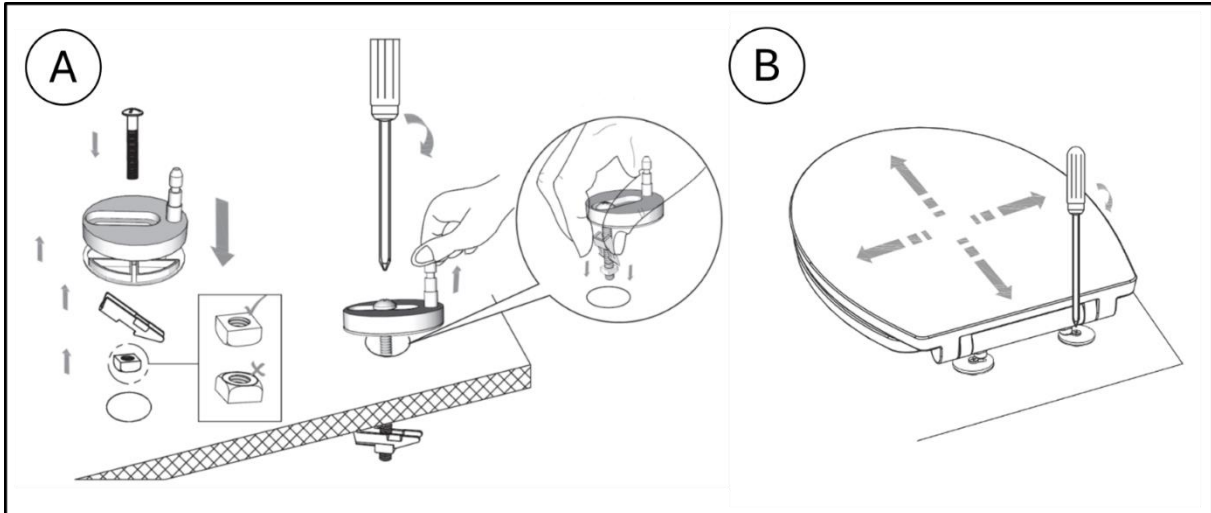


2.2 Technical Data

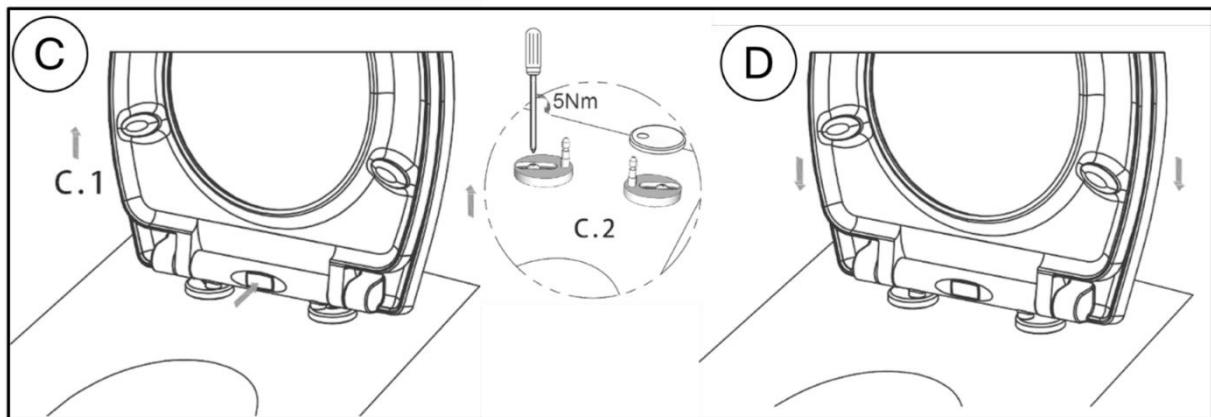
			
EAN	4252023125765	4252023125772	4252023125789
Model	AR-HE-TDO	AR-HE-TDOK	AR-HE-TDD
Overall Dimensions	372X446X48mm	380 x 457 x 45 mm	371X444X52mm
Maximum load	150 kg	150 kg	150 kg
Material	Duroplast	Duroplast	Duroplast

3 Assembly

- First, assemble all the individual parts as shown in Figure A
- Attach the covers to the toilet, see Figure B



- In the middle of the toilet seat is a lock that has to be operated to mount the lid on the toilet, Figure C
- Now put the toilet seat on, Figure D



4 Maintenance and care

4.1 Cleaning

To clean, use a damp cloth with a standard bathroom cleaner. Do not use abrasive cleaners.

5 Environmentally friendly disposal

Warning: Choking hazard! Packaging material is dangerous for children. Never let children play with packaging materials.

5.1 Disposal and packaging

- The packaging of the item is made of materials necessary to ensure effective protection during transport. These materials are fully recyclable and thus reduce the environmental impact. Dispose of the packaging in a bin for recyclable materials.

Our customer service number: Tel. [Phone: +49 931 90 80 3000](tel:+4993190803000)

E-mail: info@arebos.de

Office address: Canbolat Vertriebs GmbH • Gneisenaustraße 10-11 • 97074 Würzburg

Imprint

Product Name: Toilet Seat

Model Number: AR-HE-TDO/-TDOK/-TDD

Item number: 4252023125765, 4252023125772, 4252023125789

If the product has a modification that has not been approved by us, this statement will lose its validity.

Date/Manufacturer's signature/Location:

Würzburg 04 September 2024



Signer identification:

Korhan Canbolat, Head of the Company

Technical Documentation Representative:

Korhan Canbolat

Office Address:

Canbolat Vertriebs GmbH

Gneisenaustraße 10-11

D-97074 Würzburg

The return address can be found in the imprint: <https://www.arebos.de/impressum/>

Sales tax identification number: DE 263752326 Commercial register court is Würzburg, HRB 10082WEEE Reg.-Nr. DE 61617071