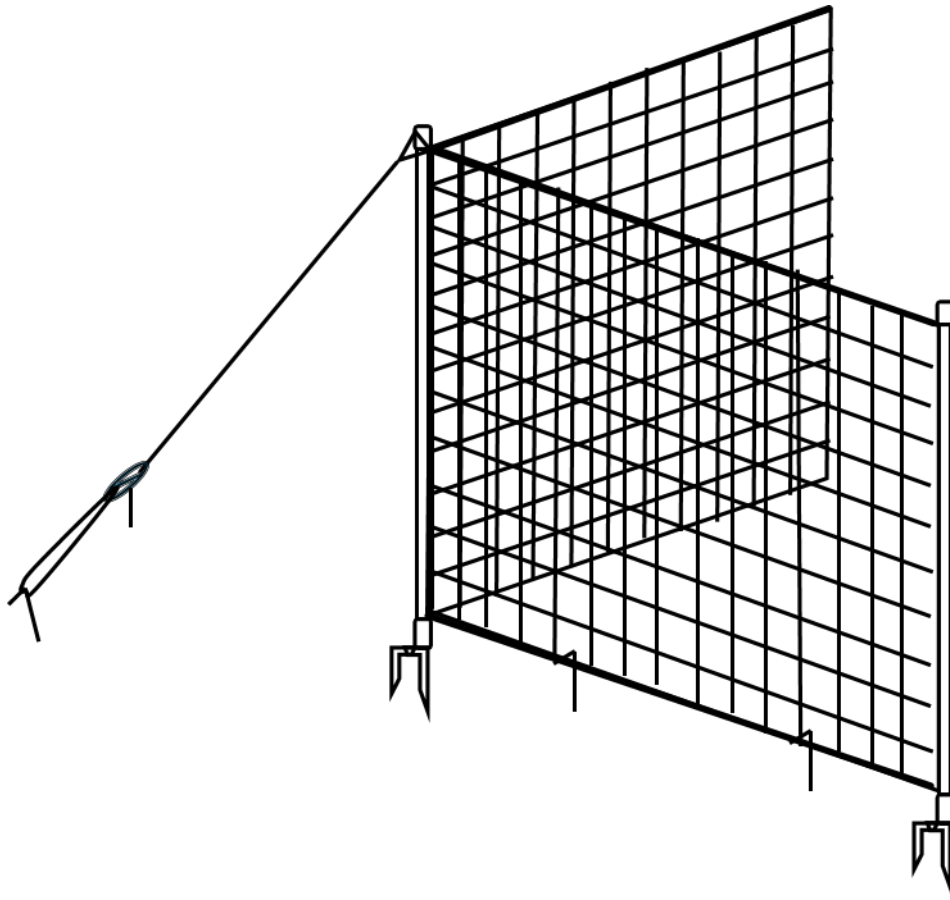


# AREBOS

## Portable Boundary Set

AR-HE- MBS15 / 20 / 25



Please follow all security measures in this user's manual to ensure a secure use.

Thank you for trusting in AREBOS.

# Table of Contents

<b>1. Security instructions .....</b>	<b>3</b>
1.1 Explanation of the symbols .....	3
1.2 Intended Use .....	3
1.3 General security instructions.....	4
<b>2. Product Overview .....</b>	<b>5</b>
2.1 Part Names .....	5
2.2 Package Content.....	5
<b>3. Installation .....</b>	<b>5</b>
<b>4. Technical data .....</b>	<b>6</b>
<b>5. Cleaning and care .....</b>	<b>6</b>
<b>6. Environmentally friendly disposal .....</b>	<b>6</b>
6.1 Disposal and packaging .....	6
6.2 Disposal of waste equipment .....	6
<b>7. Service .....</b>	<b>7</b>
<b>Imprint.....</b>	<b>7</b>

**Thank you for purchasing our product. Please read the operating instructions carefully before using the product for the first time. If you give the product to a third party, this manual must be handed over with it. Keep the instruction manual for future reference. The drawings in this manual may not match the physical objects. Please refer to the physical objects.**

## **1. Security instructions**

### **1.1 Explanation of the symbols**



**Warning!** Read the safety instructions carefully. The Failure to follow the safety precautions can result in serious injury or damage. Keep the operating instructions in a safe place.




**Warning!** This signal word indicates a hazard with a medium degree of risk which, if not avoided, could result in death or serious injury.

### **1.2 Intended Use**

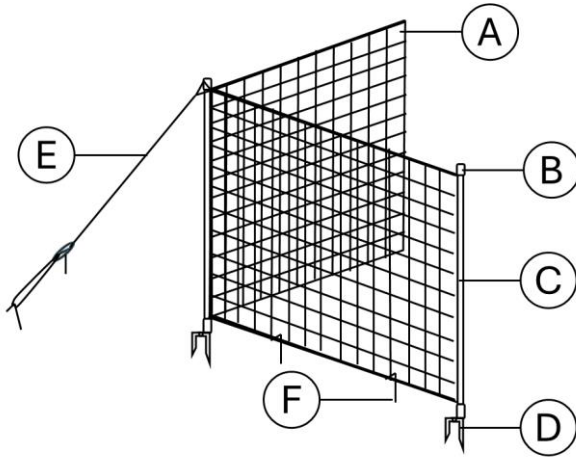
- **Note:** This fence is a **non-electrified plastic barrier**. It must not be connected to any electric fence device or energizer.
- This fence is designed for private use only, on private property.
- This product provides a quick and flexible solution for fencing private areas such as gardens, small animal enclosures, or campsites.
- It is suitable as a lightweight, temporary barrier for smaller animals.
- The fence is not suitable for construction sites, public spaces, or as a permanent enclosure for strong or destructive animals.
- Any use other than that described above is considered misuse and may lead to damage or danger. The manufacturer accepts no liability for injuries or damage caused by improper use.

### 1.3 General security instructions

-  Please read the following safety instructions carefully before first use. Failure to follow these guidelines may result in injury or damage to the product. Keep this manual for future reference and pass it on to any subsequent users.
- **WARNING! Risk of Suffocation!** Keep packaging materials, such as plastic bags, away from babies and children. Ensure that children do not play with the packaging materials.
- This product is **not a toy**; do not allow children to play with the fence or its packaging.
- **Adult installation only.** Assemble and remove the fence only by an adult.
- Keep children and pets away during assembly and disassembly.
- **For animals only.** Use exclusively to enclose animals on private property.
- Do not use to confine children or people.
- Not suitable for public spaces or construction sites.
- **WARNING – Strangulation hazard.** Animals and humans—especially children—can become entangled in fence nets and may suffocate.
- Never leave children unsupervised near the fence and do not install it where children have access.
- Animals with horns, in particular, can become entangled and strangle themselves.
- **Risk of injury!** Stakes and ground spikes have sharp tips that may cause injury.
- Protect your eyes, hands, and feet—wear gloves and safety shoes.
- Be careful when pressing posts into the ground or removing them.
- Keep children and pets away from sharp parts at all times.
- **Wildlife protection.** Inspect nets regularly to ensure that no wild animals are trapped. Remove unused or temporarily dismantled nets immediately to prevent entanglement.
- **Animal behavior.** Take into account the temperament and habits of your animals, including risks of chewing, pushing, or jumping over the fence.
- This fence is a lightweight, temporary barrier for smaller animals (e.g., poultry, cats, calm small dogs). Some animals (e.g., rabbits that chew, chickens that peck persistently, strong dogs that push) may damage the plastic mesh.
- Always supervise animals and check the fence regularly for wear or damage.
- **Not an electric fence.** The mesh contains no electrical components. Do not connect the fence to any electric fence energizer or power source.
- **Additional information.** Fence nets are intended exclusively for enclosing animals. Other uses are not permitted. If used otherwise, all safety instructions must still be followed. If safe use cannot be ensured, the product is not suitable for that purpose.





## 2. Product Overview

### 2.1 Part Names



- A. Fence Net Roll
- B. Post Cap
- C. Fence Post
- D. Ground Spikes
- E. Ground Pins
- F. Connection Rope

### 2.2 Package Content

Picture				
<b>Part number</b>	<b>A+B+C+D</b>	<b>E</b>	<b>F</b>	<b>/</b>
<b>15m Set</b>	1 roll with 9 posts	15x	4x	1x
<b>20m Set</b>	1 roll with 12 posts	20x	4x	1x
<b>25m Set</b>	1 roll with 15 posts	25x	4x	1x

## 3. Installation

- Before installation, check that your package is complete and that all parts are undamaged.
- Define the area to be enclosed according to the desired size.
- Insert the posts firmly into the ground at regular intervals.
- Unroll the fence net and attach it securely to the posts.
- Hook the rope onto the caps of the posts. Adjust the length and stretch it tightly to the ground.
- Fix the rope using the ground pins.
- Check that the fence is stable and properly tensioned before allowing animals inside.

## 4. Technical data

<b>Model</b>	AR-HE-MBS15	AR-HE-MBS20	AR-HE-MBS25
<b>EAN</b>	4252023128896	4252023128902	4252023128919
<b>Product Size</b>	L1500*W1*H112 CM	L2000*W1*H112 CM	L2500*W1*H112 CM
<b>Material</b>	plastic, metal		
<b>Net open Size</b>	W1500*H90 cm	W2000*H90 cm	W2500*H90 cm
<b>Number of post</b>	9	12	15
<b>Package content</b>	Fence net with posts 1X; Connection ropes 4x; Ground pins 15x; User manual 1x	Fence net with posts 1X; Connection ropes 4x; Ground pins 20x; User manual 1x	Fence net with posts 1X; Connection ropes 4x; Ground pins 25x; User manual 1x
<b>Net Weight</b>	3.3 kg	4.3 kg	5.4 kg

## 5. Cleaning and care

- Check the fence, posts, and ropes regularly for wear or damage. Replace damaged parts immediately.
- Clean the mesh with water and mild soap if dirty. Avoid harsh chemicals or sharp tools
- For longer product life, avoid leaving the fence exposed to extreme weather for long periods (strong UV, frost, storms).
- Dry the ground spikes before storage. If light rust appears, clean gently.
- Roll up the net neatly to prevent tangling. Store in a dry, shaded place when not in use.
- Do not place heavy loads on stored parts, as this may deform the mesh.
- Supervise animals during first use and check regularly for chewing, pushing, or climbing.

## 6. Environmentally friendly disposal

**⚠ Warning! from the risk of suffocation!** Packaging material is dangerous for children. Never let children play with packaging material.

### 6.1 Disposal and packaging

- The packaging of your device is made of materials necessary to guarantee effective protection during transport. These materials are fully recyclable and thus reduce the environmental impact. Dispose of the packaging in a bin for recyclable materials.

### 6.2 Disposal of waste equipment

- Waste equipment must be disposed of in accordance with the guidelines and regulations of local waste disposal. Contact your local administration via the address of the nearest recycling centre and deliver your device there.

## 7. Service

- **Our customer service number: Tel. +44 (0) 208 068 5604**
- **E-mail: [info@mart24.co.uk](mailto:info@mart24.co.uk)**
- **Office address: AREBOS GmbH • Industriestr. 24 | 97297 Waldbüttelbrunn | Germany**
- **Return address can be found in the imprint: <https://www.arebos.de/impressum/>**

## Imprint

Name of the product: Portable Boundary Set

Model Nr.:	AR-HE-MBS15	AR-HE-MBS20	AR-HE-MBS25
Art. Nr.:	4252023128896	4252023128902	4252023128919

If this product is modified without our consent, it loses the right to any warranty.

Date/Manufacturer Signature/Location:

Würzburg, 20.09.2025



Identification of the signatory:

Korhan Canbolat, head of the company

Authorised representative for the technical documentation:

Korhan Canbolat

**Office address:**

**AREBOS GmbH**

Industriestr. 24 | 97297 Waldbüttelbrunn | Germany

Return address can be found in the imprint: <https://www.arebos.de/impressum/>