

# AREBOS

## Metal Raised Bed

AR-HE-MHO160/240



Please follow all security measures in this user's manual to ensure a secure use.

The drawings or pictures in this manual may not match the physical objects. Please refer to the physical objects.

Thank you for trusting in AREBOS.

# Table of contents

<b>1. Intended use .....</b>	<b>3</b>
<b>2. Safety instructions .....</b>	<b>3</b>
2.1 Explanation of the symbols.....	3
2.1 General security instructions .....	4
<b>3. Technical Specifications.....</b>	<b>4</b>
<b>4. Part List.....</b>	<b>5</b>
<b>5. Assembly .....</b>	<b>6</b>
STEP 5.1: Connect all the panels.....	6
STEP 5.2 Install the upper struts.....	7
STEP 5.3 Attach edge protection .....	7
STEP 5.4 Install the protection grid.....	7
<b>6. Cleaning and maintenance .....</b>	<b>8</b>
<b>7. Disposal instruction.....</b>	<b>8</b>
7.1 Disposal of the packaging .....	8
7.2 Disposal of waste equipment.....	8
<b>Imprint.....</b>	<b>9</b>

**Thank you for purchasing our product. Please read the operating instructions carefully before using the product for the first time. If you give the product to a third party, this manual must be handed over with it. Keep the instruction manual for future reference. The drawings in this manual may not match the physical objects. Please refer to the physical objects.**

## **1. Intended use**

This raised bed is designed exclusively for private outdoor use, such as gardens, patios, and balconies.

It is intended for planting vegetables, flowers, or other compatible plants.

Any use beyond the applications described above is considered improper and may lead to damage or personal injury.

The manufacturer assumes no responsibility for damage resulting from misuse or use outside of the intended purpose.

This product is designed for standard household use only and is **not suitable for commercial or industrial operation**.

## **2. Safety instructions**

### **2.1 Explanation of the symbols**



**Warning!** Read the safety instructions carefully. Failure to follow the safety precautions could result in serious injury or damage. Keep the operating instructions in a safe place.



**Note:** For safety reasons, wear work gloves during assembly!



Be careful when using this product.

## 2.1 General security instructions

### Warning! Risk of Injury or Suffocation for Small Children

- Keep packaging materials out of reach of children, as they can cause suffocation. Always ensure that both the packaging and the product are kept safely away from children.

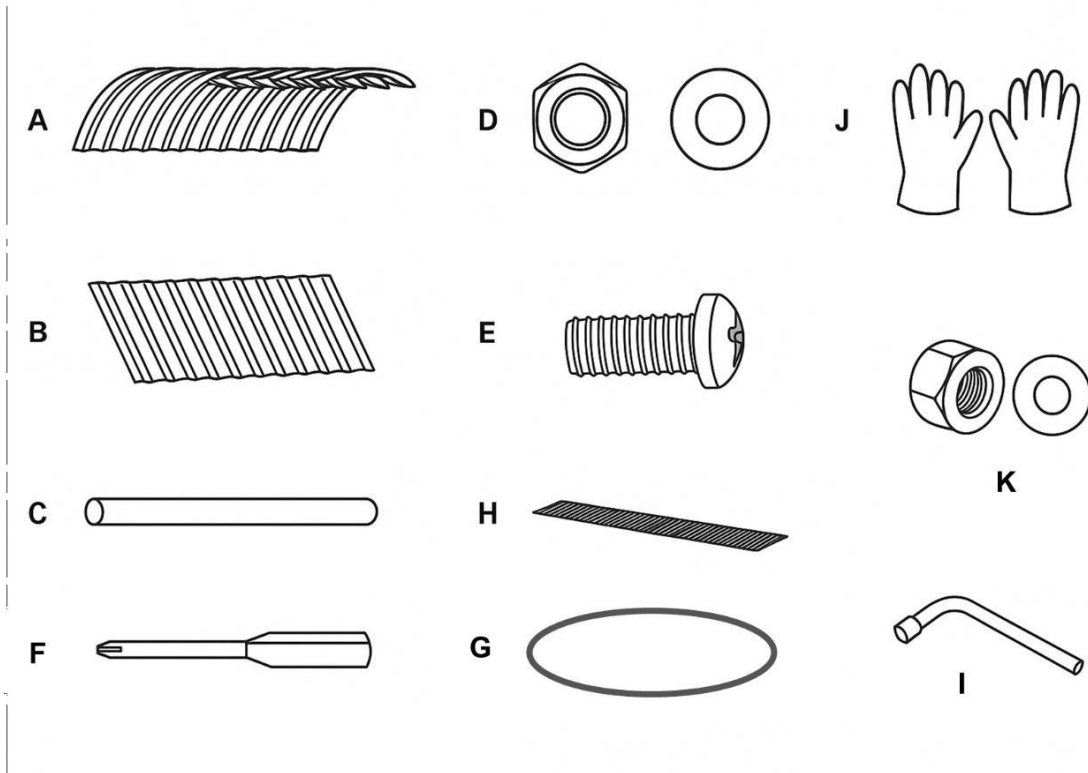
### Caution! This Product Is Not a Climbing Frame or Toy

- Do not allow children or others to climb or play on the product, as this may cause it to tip and lead to injuries.
- Do not sit or stand on the product.
- Use this product only for its intended purpose to prevent accidents or damage.
- Wear gloves and safety glasses during assembly to protect against sharp edges.
- Sharp metal edges may cause cuts — handle with care.
- For safe handling, it is recommended to have two people assist with assembly and moving the product.
- Ensure the assembly area is clear of children and pets to avoid accidents.
- Inspect all parts for any damage or defects before starting assembly. Do not proceed if parts are compromised.
- Assemble on a flat, stable surface for proper alignment and balance.
- Handle all parts carefully, especially those with sharp edges. File down any sharp edges if needed.
- Follow the instructions closely to ensure safe and correct construction.
- Do not fully tighten bolts or nuts until assembly is complete.
- After assembly, check the product's stability and ensure all bolts and nuts are securely tightened before adding soil or any load.
- Regularly inspect the planter for signs of wear and tear. Tighten any loose bolts and check for rust or damage, especially if used outdoors.

## 3. Technical Specifications

<b>EAN</b>	4252023129664	4252023129671
<b>Model</b>	AR-HE-MHO160	AR-HE-MHO240
<b>Dimension</b>	160 ×80×78cm	240×80×78cm
<b>Capacity</b>	Approx. 780L	Approx. 1170L
<b>Material</b>	Steel	Steel
<b>Weight</b>	16 kg	23KG

## 4. Part List

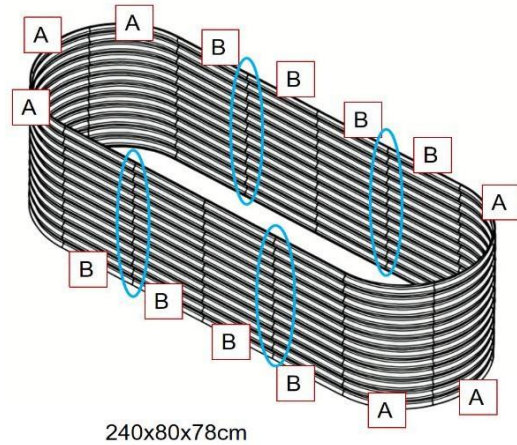
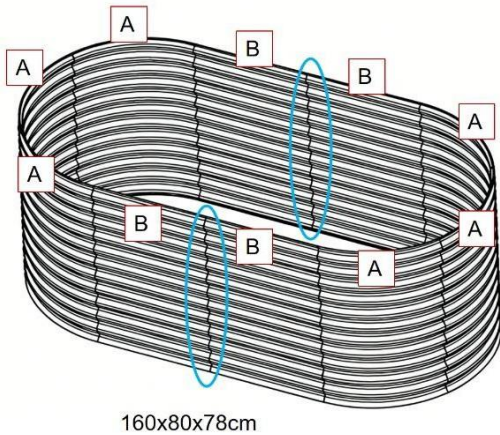


No.	Part Name	Quantity (pc) 160×80×78cm	Quantity (pc) 240×80×78cm
A	Round Panel	6	6
B	Straight Piece	4	8
C	Strut	3	6
D	Hex Nut M5 + Washer	104	142
E	Pan Head Screw M5×10	120	168
F	Screwdriver	1	1
G	Edge Protection	1	1
H	Protection Grid	1	1
I	Wrench	1	1
J	Glove (Pair)	1	1
K	Hex Cap Nut M5 + Washer	10	14

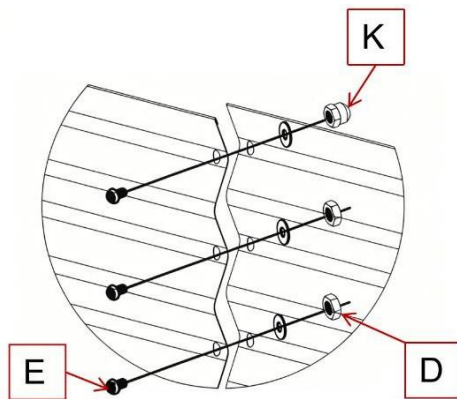
## 5. Assembly

### STEP 5.1: Connect all the panels.

5.1.1 Fit the panels together with an overlapping connection until the holes align.  
(refer to the model variations shown below)

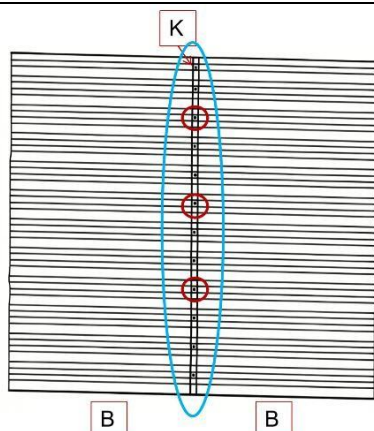


5.1.2



- Insert the **M5×10 mm screws (E)** from the outside. Fasten lightly using **washers and hex nuts (D)** or **cap nuts (K)**.
- **⚠ IMPORTANT:**  
Use **cap nuts (K)** instead of regular nuts (D) at the top connection points on the inside.

5.1.3



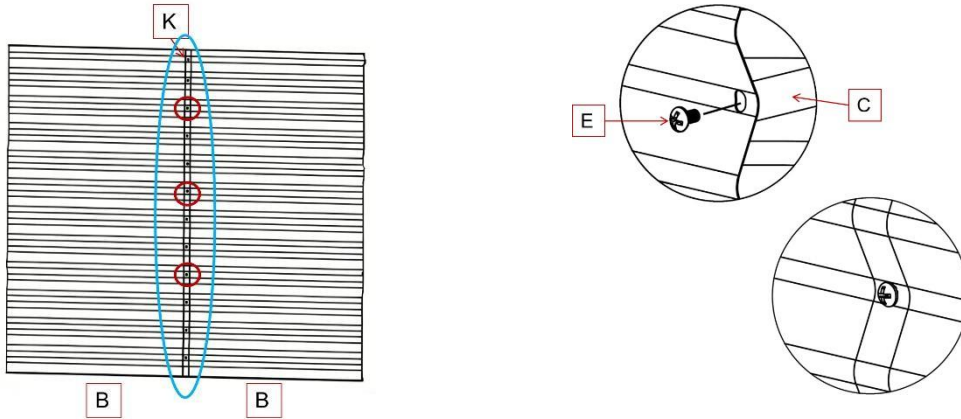
- **💡 TIPS:**
- Leave the **3rd, 6th, and 9th screw holes** on the connection lines addressed by blue circles open on each overlap joint.
- These points will be used later to install the **struts (C)**.

### STEP 5.2 Install the upper struts

Insert struts (C) into the reserved hole positions

→ 3rd / 6th / 9th hole from the top.

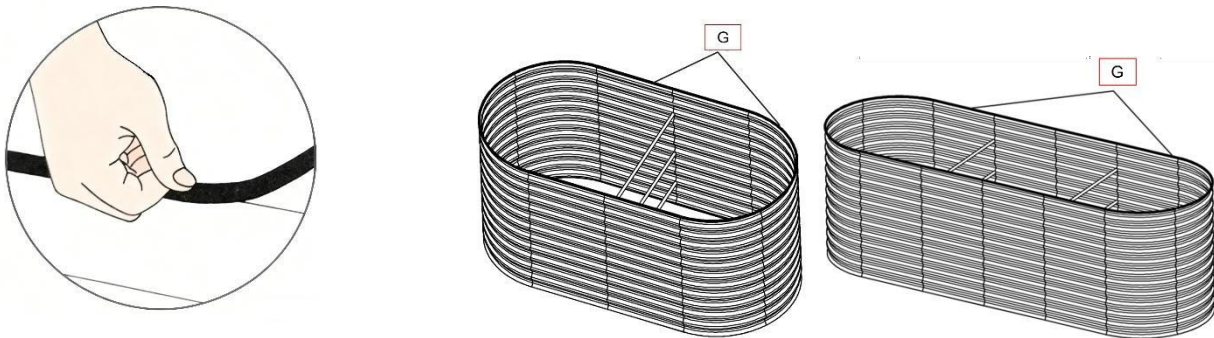
Ensure the struts are fully engaged before tightening surrounding screws.



### STEP 5.3 Attach edge protection

Snap the **edge protection strip (G)** onto the top rim of the raised bed.

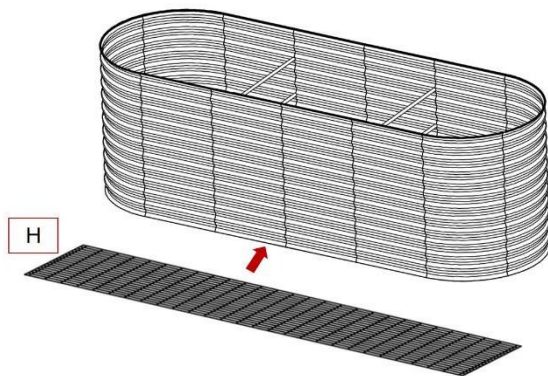
Press firmly along the entire length until fully seated.



### STEP 5.4 Install the protection grid

Unroll the **protection grid (H)** and place it inside the frame.

Trim or adjust if necessary for a proper fit.



#### Tip:

Avoid stretching the grid unevenly — excessive tension may cause misalignment in length or width.

## 6. Cleaning and maintenance

- Routine dirt: Wipe with a soft cloth/sponge dampened in mild soapy water; rinse and dry.
- Stubborn buildup: Gently scrub caked soil with a soft-bristle brush (avoid wire brushes to prevent coating scratches); treat mildew/algae with a 1:4 vinegar-water solution (soak 10–15 mins, then wipe).
- Coating protection: If the galvanized layer is scratched, sand the area, wipe clean, and touch up with zinc-rich paint to cover exposed steel.
- Moisture prevention: Ensure proper drainage (add gravel at the base); wipe standing water off the exterior. Cover with a tarp after cleaning for winter protection.
- Prohibitions: Do not use steel wool, bleach, or abrasive tools.

## 7. Disposal instruction

### 7.1 Disposal of the packaging

- Please make reference to the guidelines and standards for appropriate disposal of the packaging valid in your region. In part, the package may consist of plastic bags - watch this respect, with special care to ensure that this is not out of the reach of children. There is a risk of suffocation!

### 7.2 Disposal of waste equipment

- Equipment must be disposed of in accordance with the rules and regulations of the local waste disposal.
- At the end of the long life of your article, please dispose of the valuable raw materials for proper disposal so that proper recycling can take place. If you are not sure how to proceed, the local waste disposal companies or recycling centers are happy to help.

**Our customer service number: Tel. +44 208 068 5604**

**Email: [info@arebos.co.uk](mailto:info@arebos.co.uk)**

AREBOS GmbH  
Industriestr.24 • 97297 Waldbüttelbrunn • Germany

## Imprint

Name of the product: Metal Raised Bed  
Model Nr.: AR-HE-MHO160 /240  
Art. Nr.: 4252023129664; 4252023129671;

If the product has any modification not allowed by us, this declaration loses its validity.

Date/Manufacturer Signature/Location:

Würzburg, 01.12.2025



Identification of the signatory:  
Korhan Canbolat, head of the company

Authorised representative for the technical documentation:  
Korhan Canbolat

**Office address:**

AREBOS GmbH  
Industriestr.24 • 97297 Waldbüttelbrunn • Germany

Return address can be found in the imprint: <https://www.arebos.de/impressum/>