

Original operating instructions – AREBOS Garden Hose Reel 35m/25m

AREBOS

Garden Hose Reel 35m/25M

AR-HE-GS35N/25N



Follow all safety precautions in this user manual to ensure safe use.

CE

Thank you for your trust in AREBOS.

Table of Contents

1. Safety instructions.....	3
1.1 Symbol explanation	3
1.2 Security Alerts	3
2. Assembly.....	4-7
3. Troubleshooting	8
4. Technical data	8
5. Disposal Notice.....	9
5.1 Disposal and packaging	9
5.2 Disposal of WEEE.....	9
5.3 Meaning of the symbol "garbage can"	9
EU Declaration of Conformity	10

Thank you for purchasing our product. Please read the user manual carefully before using the product for the first time. If you leave the product to a third party, this operating manual must be handed over with it. Keep the instruction manual for future reference.

The drawings in this manual may not match the physical objects. Please refer to the physical objects.

1. Safety instructions

1.1 Symbol explanation



This product must **not** be disposed of with household waste!



A CE marking can be used to indicate that a product complies with the legal provisions of European legal standards and may therefore be traded within the European Community.



To restrict the use of certain hazardous substances in the field of heavy metals, brominated flame retardants and plasticizers in order to protect human health and the environment.



Warning! Read the safety regulations carefully. The Failure to comply with safety precautions can lead to serious injury or damage. Keep the instruction manual safe.

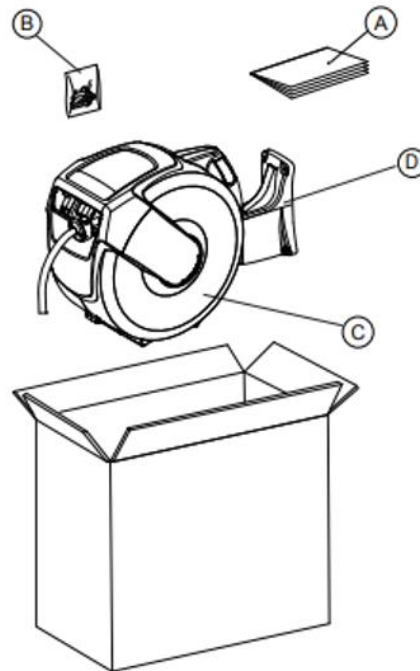
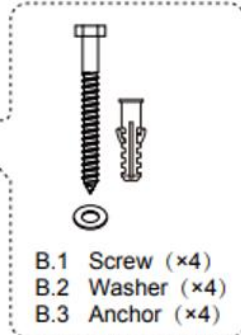
1.2 Security Alerts

- Automatic withdrawal – keep a safe distance, risk of injury!
- No toys – keep away from children.
- Mounts only on load-bearing wall; avoid loose assembly.
- Close water supply before servicing.
- Do not use with hot water.
- Do not pull the hose jerkily.
- Protect from frost.

2. Assembly

PACKAGE CONTENTS

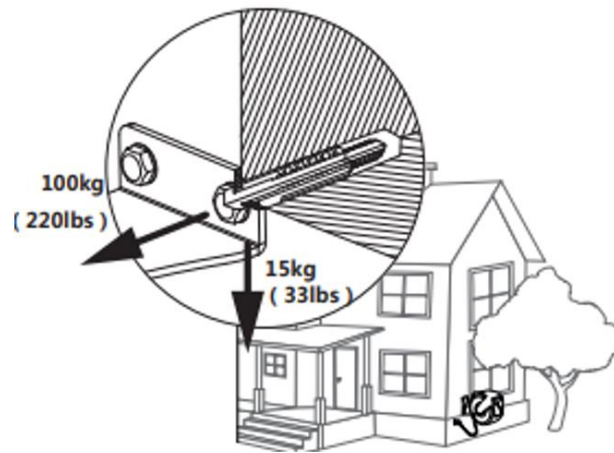
- A. Instruction Manual
- B. Hardware Pack
- C. Hose Reel
- D. Mount Bracket



SELECTION OF THE BEST POSSIBLE INSTALLATION LOCATION

This product can be assembled in many different ways. It is important to choose the mounting location carefully. Consider mounting on surfaces...

1. Close to your water source. This product includes a 35 m outlet hose. Make sure it reaches your garden.
2. Close to your water supply. This product includes a 2 m inlet hose. Make sure it reaches your water supply.
3. Do not expose to direct sunlight.
4. Strong enough to support the loads specified below (per screw). If you are unsure, contact a professional installer.
5. For more information, please refer to the installation options listed below



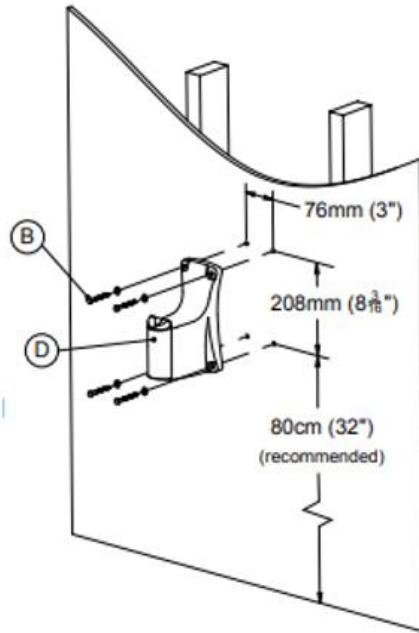
DIRECT MOUNT TO WOOD STUD...

Recommended tools...

- Masking tape
- Bolt finder
- Spirit level
- Drilling machine
- Drill \varnothing 3 mm (\varnothing 1/8 inch)
- Phillips screwdriver

Steps

1. Using stud-finder, locate stud and mark the location.
2. Tape the drilling template on the wall at a convenient height, making sure the holes are centered on the stud.
3. Check the hole centers with the level to ensure they are plumb.
4. Drill (4) four holes with a \varnothing 3mm (\varnothing 1/8in) masonry drill bit on the template centers.
5. Fasten the mounting bracket with four screws and washer to the wall or timber post.
6. Hang the hose reel on the wall bracket, and secure it by inserting the mount tube.
7. Connect with inlet hose end with the water source.



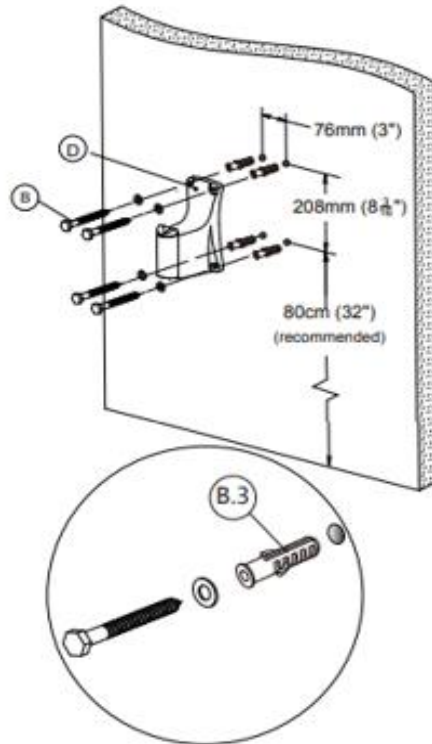
MOUNT TO HOLLOW WALL AND MASONRY WALL...

Recommended tools...

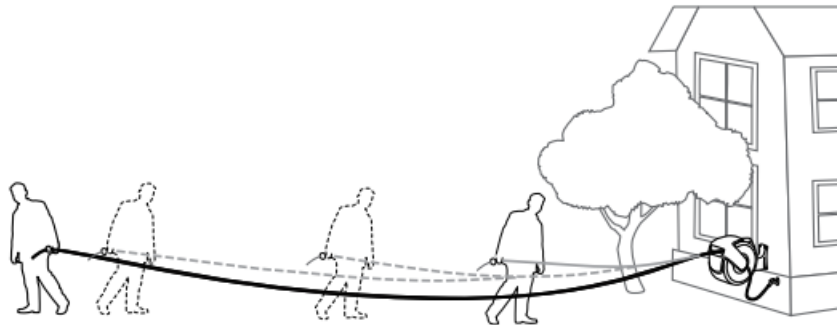
- masking tape
- bubble level
- electric drill
- Ø10mm (Ø3/8 in) drill bit
- hammer or mallet
- Philips head screw driver

Steps

1. Tape the drilling template on the wall at a convenient height, making sure the holes are between studs.
2. Check the hole centers with the level to ensure they are plumb.
3. Drill (4) four holes with a 10mm (3/8in) masonry drill bit on the template centers.
4. Tap plastic anchors (B.3) into holes with a hammer or mallet.
5. Fasten the mounting bracket with four screws and washer to the wall or timber post, and ensure drive mounting screws into the plastic anchors) in the wall.
6. Hang the hose reel on the wall bracket, and secure it by inserting the mount tube.
7. Connect with inlet hose end with the water source



1. Pull the hose out to the desired length. The hose locks into place automatically.
2. To unlock and retract it, pull the hose briefly. Feed the hose back to the hose reel. If you pull out the hose longer than 10 cm, you can snap it into place again.
3. To avoid injury and damage, always hold the hose when pulling it in.
4. If the hose gets tangled and no longer retracts, slowly pull the hose out over the tangled section, then allow it to retract slowly as you feed the hose back into the hose reel. Always make sure that the hose is clean and not twisted.



ADJUSTING THE STOP BALL...

The position of the stop ball can be adjusted so that the hose is always within reach.

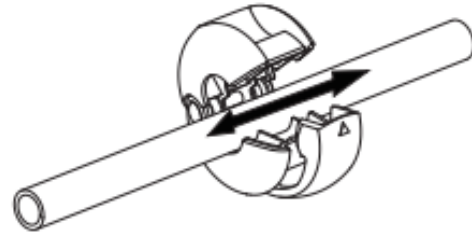
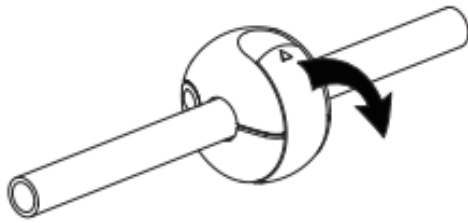
Recommended tool...

- No tools are required.

Steps

1. Pull the hose out to the desired length, making sure it doesn't coil up.
2. Open the latch on the stop ball and move it to the desired length.
3. Lock the ball again.

CAUTION: ALWAYS MAKE SURE THE HOSE REEL IS LOCKED BEFORE REMOVE THE STOP BALL AND MAKE SURE THAT THE STOP BALL SECURELY FASTENED BEFORE YOU UNLOCK THE ROLLER.



3. Troubleshooting

Even though your product is made of high-quality materials, it can be signs of wear and tear over time. Check the hose and housing regularly. If cracks or blisters are visible, discontinue use.

PRODUCT CONTAINS A TENSIONED SPRING. DO NOT DISASSEMBLE THE HOUSING.

1. Keep the hose clean at all times.
2. If the hose is dirty, clean it with a damp cloth when you pull it in.
3. DO NOT twist the hose during use.
4. Mount the hose reel in a protected location to support and protect the performance of the hose and reel.
5. DO NOT allow the hose to come into contact with corrosive chemicals or liquids.
6. Always pull in the hose when it is not in use.

4. Technical data

Model	Cable length	Article number	Garden diameter	Length of inlet hose	Outlet hose length	Max. operating pressure
AR-HE-GS35N	35 m	4252023129800	11mm	2m	35m	8bar
AR-HE-GS25N	25 m	4252023129794	11mm	2m	25m	8bar

5. Disposal Notice

5.1 Disposal and packaging

- Please ensure that the packaging is disposed of appropriately in accordance with the guidelines and standards applicable in your region. In some cases, the packaging may consist of plastic bags - take special care to ensure that these do not fall into the hands of children. There is a risk of suffocation!

5.2 Disposal of WEEE

- WEEE must be disposed of in accordance with the guidelines and the regulations of local waste disposal.
- At the end of the item's life, dispose of the raw materials properly so that proper recycling is possible. If you're not sure how to do this properly, local waste management companies will be happy to help.

5.3 Meaning of the symbol "garbage can"



Protect our environment, electrical appliances do not belong in the household waste. Use the collection points provided for the disposal of electrical appliances and hand in your electrical appliances that you will no longer use. They thus help to avoid the potential effects of incorrect disposal on the environment and human health. In this way, you make your contribution to the reuse, recycling and other forms of recovery of waste electrical and electronic equipment. Information on where to dispose of the devices can be obtained from your municipalities or municipal administrations.

Our customer service number: +44 208 068 5604

AREBOS GmbH • Industriestr. 24 • 97297 Waldbüttelbrunn

EU Declaration of Conformity

We,

AREBOS GmbH Industriestr 24, 97297 Waldbüttelbrunn, Germany

We hereby declare that the devices referred to below comply with the relevant essential safety and health requirements of the EU directives due to their design and construction as well as in the designs placed on the market by us.

Product Name: Garden Hose Reel

Model Number: AR-HE-GS35N/25N

Item number: 4252023129800 (35m); 4252023129794 (25m)

If the device is modified without our consent, this declaration of conformity loses its validity.

EU standard:

2006/42/EC Machinery

REACH(EC) No 1907/2006,

AfPs GS 2019:01 PAK

ROHS Directive(EU)2015/863 Amending

Annex II to Directive 2011/65/EU

Date/Signature Manufacturer/Location: Würzburg,

19.12.2025



Signature:

Dipl.-Inform. (Univ.) Korhan Canbolat, Managing Director

Representative of this Instructions for Use/Technical Data:

Dipl.-Inform. (Univ.) Korhan Canbolat, Managing Director

Office Address:

AREBOS GmbH

Industriestr. 24

97297 Waldbüttelbrunn

Return address can be found in the imprint: <https://www.arebos.de/impressum/>