

AREBOS

Folding Sun Lounger

AR-HE- KS1/2



Please follow all security measures in this user's manual to ensure a secure use.

Thank you for trusting in AREBOS.

Table of Contents

1. Security instructions	3
1.1 Explanation of the symbols	3
1.2 Intended Use	3
1.3 General security instructions	4
2. Part List	5
3. Technical data	5
4. Assembly	6
5. Cleaning and care	7
6. Storage	8
7. Environmentally friendly disposal	8
6.1 Disposal and packaging	8
6.2 Disposal of waste equipment	8
8. Service	8
Imprint	9

Thank you for purchasing our product. Please read the operating instructions carefully before using the product for the first time. If you give the product to a third party, this manual must be handed over with it. Keep the instruction manual for future reference. The drawings in this manual may not match the physical objects. Please refer to the physical objects.

1. Security instructions

1.1 Explanation of the symbols



Warning! Read the safety instructions carefully. The Failure to follow the safety precautions can result in serious injury or damage. Keep the operating instructions in a safe place.



Warning! This signal word indicates a hazard with a medium degree of risk which, if not avoided, could result in death or serious injury.

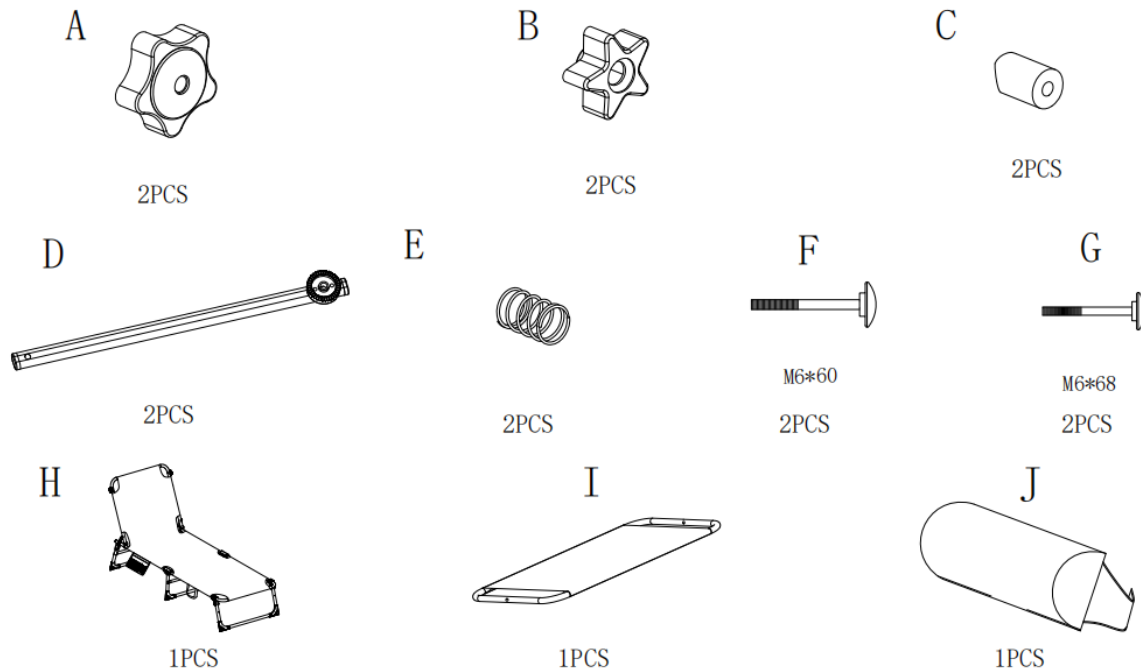
1.2 Intended Use

- This product is intended for private, non-commercial use only.
- It is suitable for use by one adult person at a time with a recommended max. body weight of 120 kg.
- The product is not intended for commercial or rental use.
- Ideal for camping, garden relaxation, or similar outdoor activities.

1.3 General security instructions

- ⚠ Please read the following safety instructions carefully before first use. Failure to follow these guidelines may result in injury or damage to the product. Keep this manual for future reference and pass it on to any subsequent users.
- **WARNING! Risk of Suffocation!** Keep packaging materials, such as plastic bags, away from babies and children. Ensure that children do not play with the packaging materials.
- This product is **not a toy**; do not allow children to play with the product or its packaging.
- **WARNING!** Use caution when folding and unfolding the product to prevent injury or finger trapping.
- Always inspect the chair for visible damage or signs of wear before each use. Do not use the product if any damage is detected or suspected.
- Ensure proper stability when using the product.
- Ensure the product is placed on a stable, level, and solid surface before use. Using the product on uneven or unstable ground may cause it to tip over, resulting in injury or damage.
- Do not exceed the maximum capacity or recommended user weight of 120 kg. Overloading may lead to structural damage and possible personal injury.
- Keep hands, fingers, and other body parts away from the folding mechanism to avoid the risk of pinching or injury during opening and closing.
- Ensure that the folding mechanism and backrest click securely into place before use.
- Make sure the product is fully unfolded and secured before using it.
- This product is designed for use by one person at a time only.
- This product is not a toy. Children must only use it under direct adult supervision.
- Do not stand on the lounger or use it as a step ladder.
- Do not sit on the backrest area, as this may cause instability or damage.
- Avoid using the product in adverse weather conditions such as strong winds, which may compromise stability and safety.
- Do not place the product near open flames or sources of high heat.
- ⚠ **Important Notice:**
Failure to observe these safety instructions may result in accidents, injuries, or damage to property. The manufacturer accepts no liability for misuse or improper handling of the product.

2. Part List



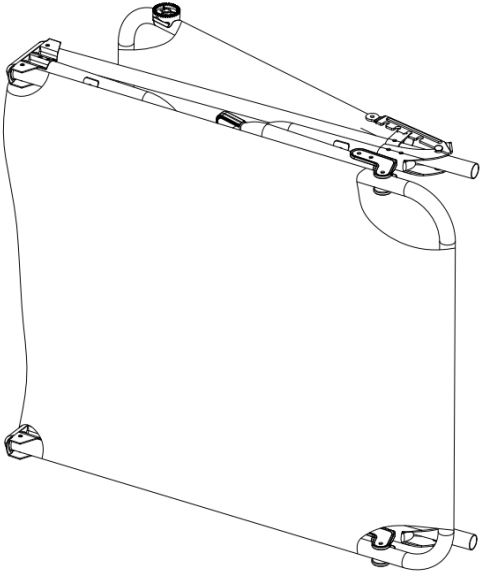
Designation	Part Name	EAN 4252023129831 Quantity (pc)	EAN 4252023129848 Quantity (pc)
A	Large Hand Knob	2	4
B	Small Hand Knob	2	4
C	Connector	2	4
D	Support Bar (Sunshade)	2	4
E	Spring	2	4
F	Screw M6×60	2	4
G	Screw M6×68	2	4
H	Lounger bed	1	2
I	Sunshade	1	2
J	Headrest	1	2

3. Technical data

Model	AR-HE-KS1	AR-HE-KS2
EAN	4252023129831	4252023129848
Product Size	195*54*29 cm	
Folding size	75*65*16cm	
Material	Steel, plastic, Teslin fabric	
Package content	Folding Bed 1x User manual 1x	Folding Bed 2x User manual 1x

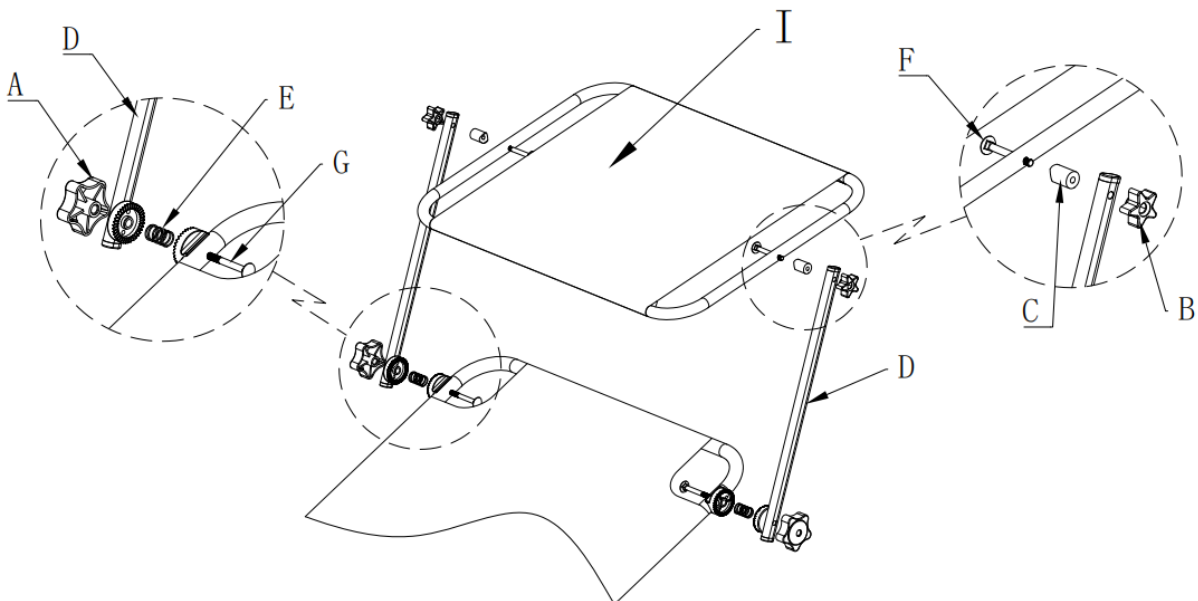
4. Assembly

Step 1 – Unfold the Lounger Frame



- Lay the lounger flat on the ground.
- Unfold the lounger until fully extended

Step 2 – Assemble the Sunshade Support



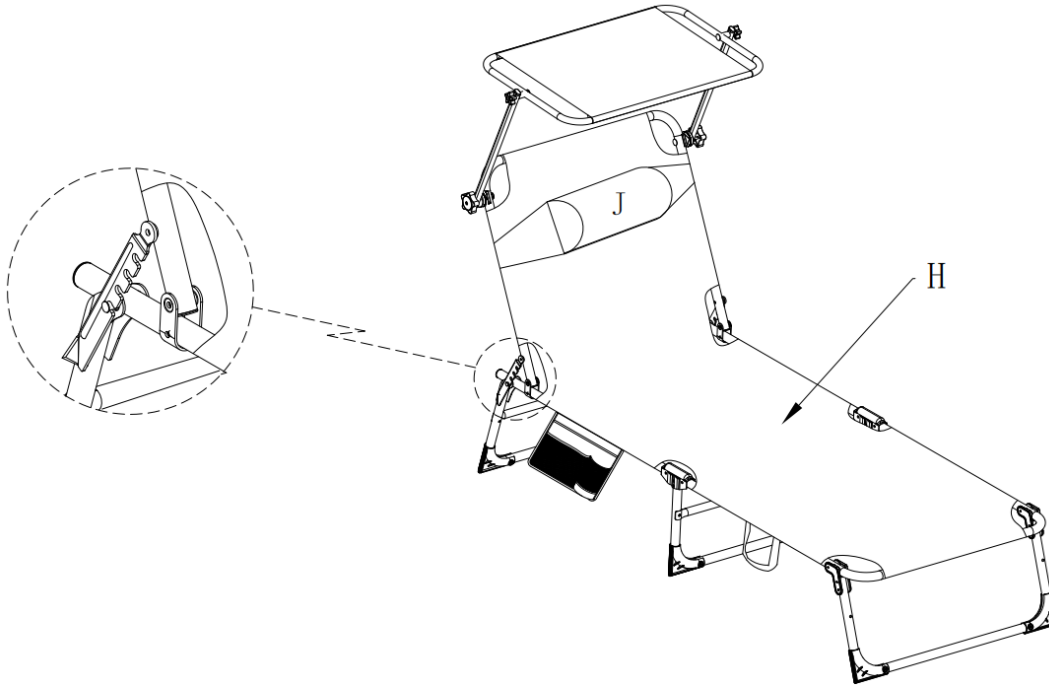
Step 2.1 Top Joint – Connect Support Bar (D) to Sunshade (I)

- On each side of the **sunshade frame (I)**, insert **Screw F (M6×60)** through the hole in the side tube from the outside.
- Slide the **Connector (C)** onto the protruding end of Screw F, inside the tube.
- Align the **top end of the Support Bar (D)** with the Connector (C).
- Thread the **Small Hand Knob (B)** onto the end of Screw F and tighten by hand.
- This forms a **pivot joint** so the support bar can rotate to adjust the angle of the sunshade.

Step 2.2 Bottom Joint – Connect Support Bar (D) to Lounger Bed

- On each side of the **lounger bed frame**, insert **Screw G (M6×68)** through the mounting hole on the frame.
- Place the **Spring Plate (E)** onto Screw G.
- Position the **bottom end of the Support Bar (D)** onto the same screw, against the Spring Plate.
- Thread the **Large Hand Knob (A)** onto Screw G from the outside and tighten.
- The **Spring Plate (E)** is clamped between the parts to create friction, so the sunshade position can be adjusted and then held firmly.

Step 3 — Install Headrest (J) & Adjust Lounger Recline



- Attach the **Headrest (J)** to the top section of the lounger (H).
- Wrap the Velcro straps around the upper support bar and fasten securely.
- Lift the upper frame to adjust the reclining angle.
- Engage the locking mechanism to choose your preferred recline position.

Make sure the backrest clicks securely into place before use.

5. Cleaning and care

- Clean the product with a damp cloth and a mild cleaning agent. Do not use abrasive cleaners or harsh chemicals, as these may damage the surface.
- Allow all parts to dry completely before repackaging the product. This prevents the formation of mold, odors, and discoloration.
- For longer durability, clean the lounger regularly, especially after outdoor use.

6. Storage

- Store the lounger in a clean, dry, and sheltered place at normal room temperature.
- Always ensure the lounger is clean and completely dry before storage.
- If not in use for an extended period, fold the chair carefully and keep it in a protected location to avoid dust and moisture.

7. Environmentally friendly disposal

⚠ Warning! from the risk of suffocation! Packaging material is dangerous for children. Never let children play with packaging material.

6.1 Disposal and packaging

- The packaging of your device is made of materials necessary to guarantee effective protection during transport. These materials are fully recyclable and thus reduce the environmental impact. Dispose of the packaging in a bin for recyclable materials.

6.2 Disposal of waste equipment

- Waste equipment must be disposed of in accordance with the guidelines and regulations of local waste disposal. Contact your local administration via the address of the nearest recycling centre and deliver your device there.

8. Service

Our customer service contact:

Tel. +44 (0) 208 068 5604

Email: info@arebos.co.uk

Office address:

AREBOS GmbH . Industriestr. 24 | 97297 Waldbüttelbrunn | Germany

Return address can be found in the imprint: <https://www.arebos.de/impressum/>

Imprint

Name of the product: Folding Sun Lounger
Model Nr.: AR-HE-KS1 AR-HE-KS2
Art. Nr.: 4252023129831 4252023129848

If this product is modified without our consent, it loses the right to any warranty.

Date/Manufacturer Signature/Location:

Würzburg, 01.12.2025



Identification of the signatory:
Korhan Canbolat, head of the company

Authorised representative for the technical documentation:
Korhan Canbolat

Office address:
AREBOS GmbH
Industriestr. 24
97297 Waldbüttelbrunn
Germany

Return address can be found in the imprint: <https://www.arebos.de/impressum/>