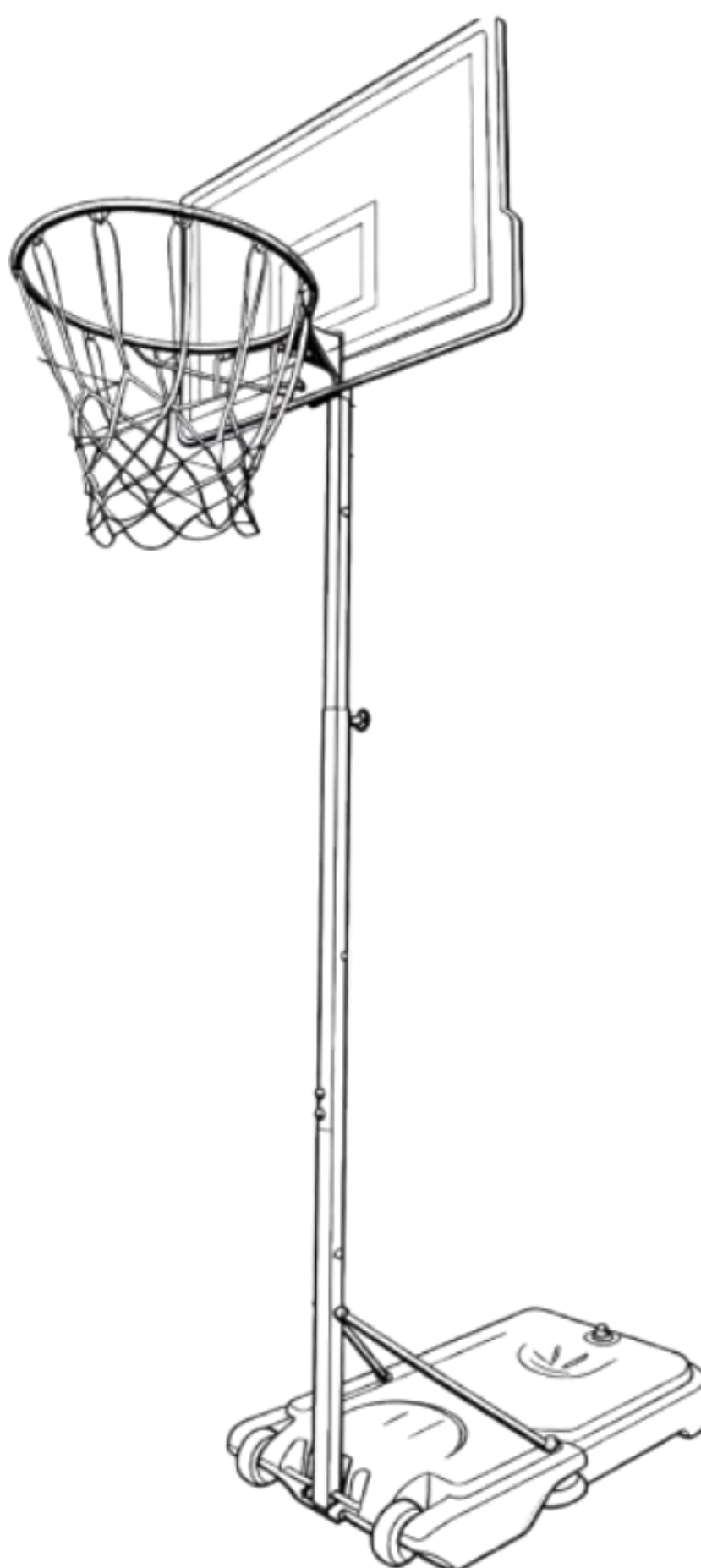




Basketball System

KM-HE-BK210



Please follow all security measures in this user's manual to ensure a secure use.

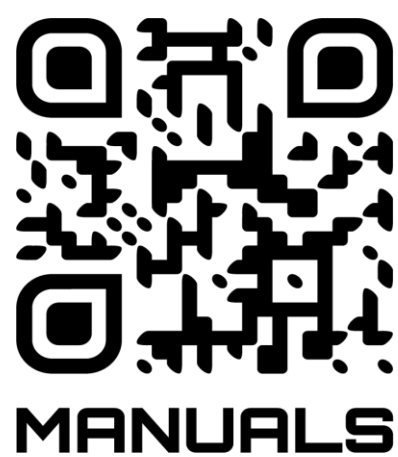


Table of contents

1 **Security instructions**

2 **Scope of delivery**

3 **Assembly**

4 **Height Adjustment**

5 **Maintenance & Storage**

6 **Technical data**

7 **Environmentally friendly disposal**

8 **Contact Us**

9 **EU Declaration of Conformity**

- Thank you for purchasing our product.
- This product helps to protect your floor during fitness activities.
- Please read this manual carefully before use and keep it in a safe place for future reference.
- The drawings in this manual may not match the physical objects. Please refer to the physical objects.

1. Security instructions

1. 1 Explanation of the symbols



By means of a CE marking, it can be recognized that a product complies with the legal requirements of European legal standards and therefore may be traded within the European Community.



Warning! Read the safety instructions carefully. The Failure to follow the safety precautions can result in serious injury or damage. Keep the operating instructions in a safe place.



Not suitable for children under 36 months.
Small parts. Choking hazard.



Warning! Dunking, hanging, or climbing on the rim is prohibited. Risk of injury.

1.2. General Safety Instructions

! WARNING! Suffocation risk for children! Do not allow children to play with the product or the packaging materials unsupervised.

- Plastic film may cause suffocation. Keep packaging away from babies and children.

! WARNING! Failure to follow these safety instructions may result in serious injury, product damage, or tipping of the system.

! WARNING! Not suitable for children under 3 years of age due to small parts and choking hazard.

! WARNING! Dunking, hanging, or climbing on the rim is prohibited. Risk of injury.

- This product is for private household use only. Do not use in public or commercial areas.
- Adult supervision is required at all times when children are using this product.
- Do not hang, pull, or climb on the rim, net, pole, backboard, or base.
- Always place the system on a flat, stable, and solid surface away from walls, doors, electricity wires, and obstacles.
- The base must be fully filled with sand or water before use to prevent tipping. Never use the system with an empty base.
- Do not shake, move, or tilt the system while in use.
- Keep face, teeth, and hands away from the rim, backboard, and net during play.
- Remove jewelry such as rings, watches, and necklaces before playing to prevent entanglement in the net.
- The net presents a strangulation hazard. Use with care and always under adult supervision.
- Children must not move, transport, or adjust the basketball system. This must be done by an adult only.
- Do not use the product in strong wind, rain, or stormy conditions.
- Regularly inspect the system for loose parts, wear, corrosion, or damage. Stop using the product if any part is damaged.

1. Security instructions

1.3. ASSEMBLY SAFETY

⚠ WARNING! Failure to properly assemble and weight the base may result in tipping and serious injury.

- Assembly must be carried out by two adults only.
- Follow all assembly instructions, diagrams, and steps provided in this manual.
- Before use, ensure all screws, bolts, and fasteners are correctly installed and tightened.
- Keep hands and fingers away from moving parts when adjusting the height or positioning the system.
- Place the system at least 2 metres away from walls, fences, cables, and other obstacles.
- After assembly, fill the base completely with sand or water before using the product.
- Never leave the system standing upright without a filled base.

1.4. GAME SAFETY RULES

⚠ WARNING! Failure to follow these rules may result in serious injury or product damage.

- This basketball system is not designed for dunking.
- Do not hang, pull, climb, or swing on the rim, net, backboard, pole, or base.
- Do not jump, sit, or stand on the base, pole, or any part of the structure.
- Keep face, head, and teeth away from the backboard, rim, and net during play.
- Only use a basketball appropriate for children and for the size of the system.
- Only one player should shoot at a time to avoid collisions.
- Always play under adult supervision.
- Children must not move, transport, or adjust the basketball system. This must be done by an adult only.

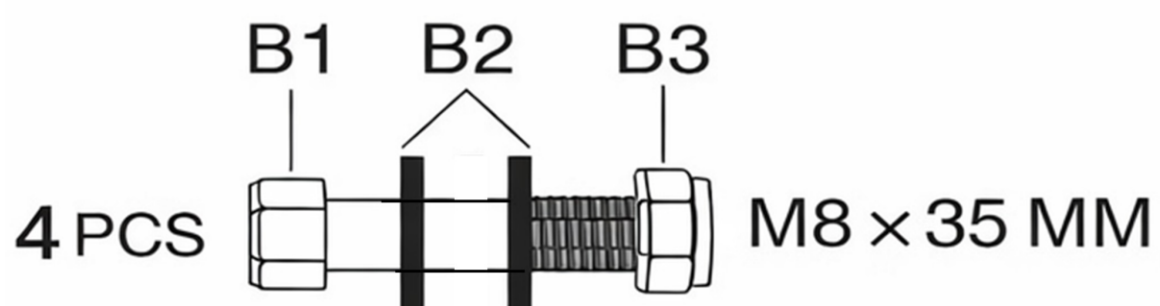
2. Scope of delivery

Part No.	Part Name	Qty	Remarks
A	Plastic head knob	1	Fix Top Pole(W) On Middle Pole(X)
B1, B2, B3	Bolt, M8 x 35 MM	4	Connect Rim(I), backboard(K) & Top Pole(W)
C1,C2,C3	Bolt, M8 x 20 MM	2	Connect Base(S) & Base Brace (L1)(L2)
D1. D2, D3	Bolt, M8 x 55 MM	4	Connect Middle Pole (X) & Bottom Pole(Y)
E1. E2, E3	Bolt, M8 x 65 MM	1	Connect Bottom Pole(Y) & Base Brace(L1),(L2)
G	Wheel	2	
H	Band clamp	2	
I	Rim	1	
J	Net	2	
K	Backboard	1	
L1	Right Brace	1	
L2	Left Brace	1	
M	Wheel Shaft	1	
W	Top Pole	1	
X	Middle Pole	1	
Y	Bottom Pole	1	
S	Base	1	



A

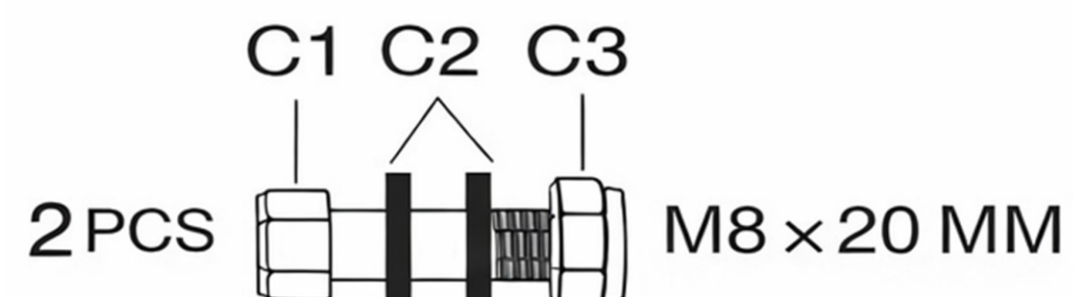
1 PCS



B1 B2 B3

4 PCS

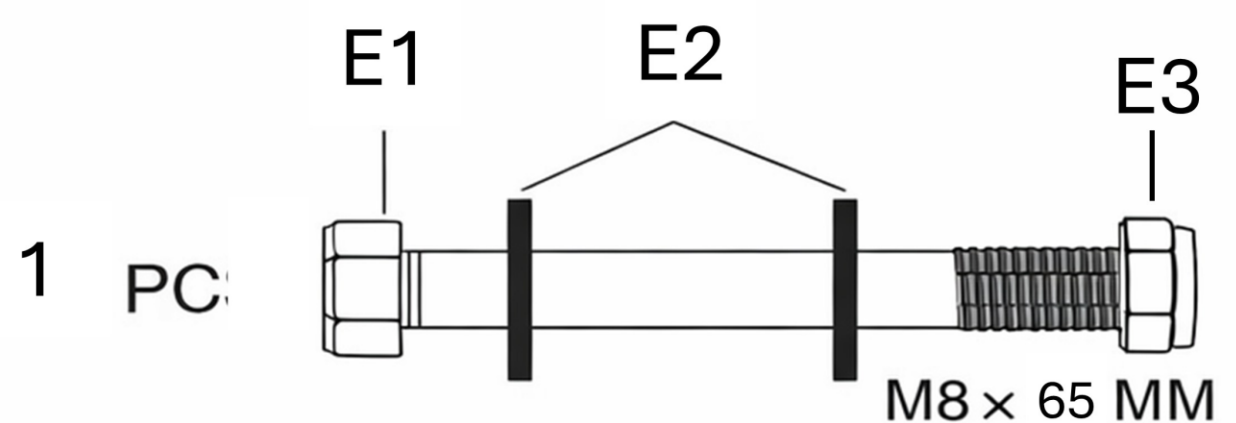
M8 x 35 MM



C1 C2 C3

2 PCS

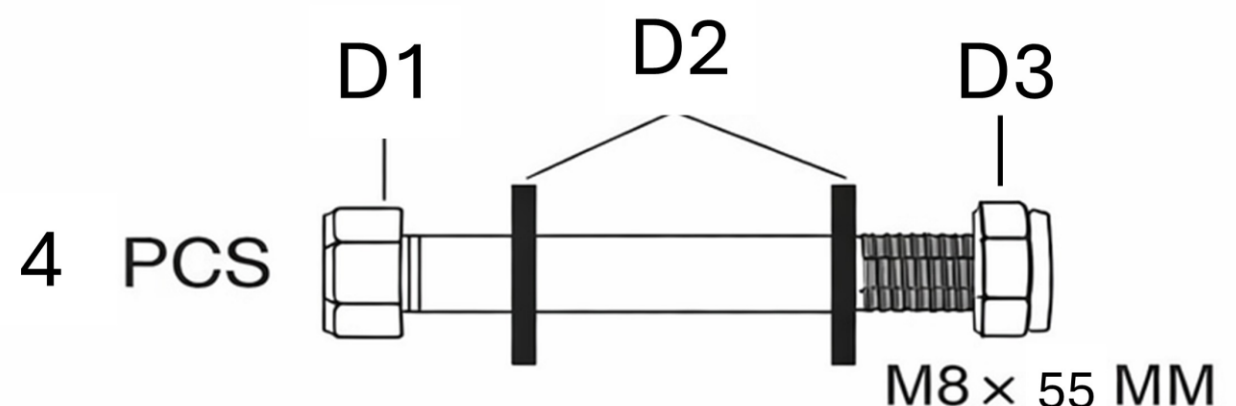
M8 x 20 MM



E1 E2 E3

1 PCS

M8 x 65 MM

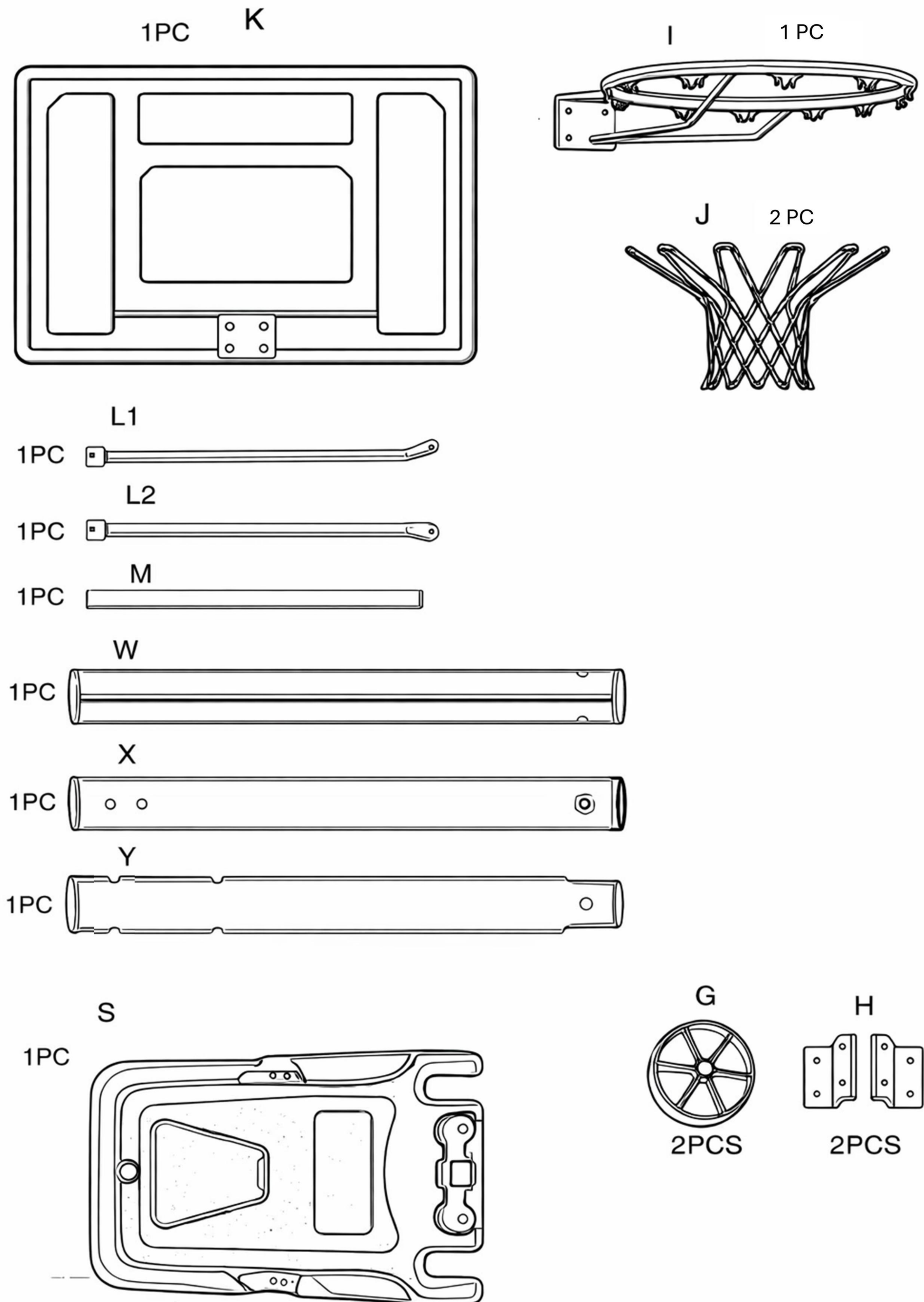


D1 D2 D3

4 PCS

M8 x 55 MM

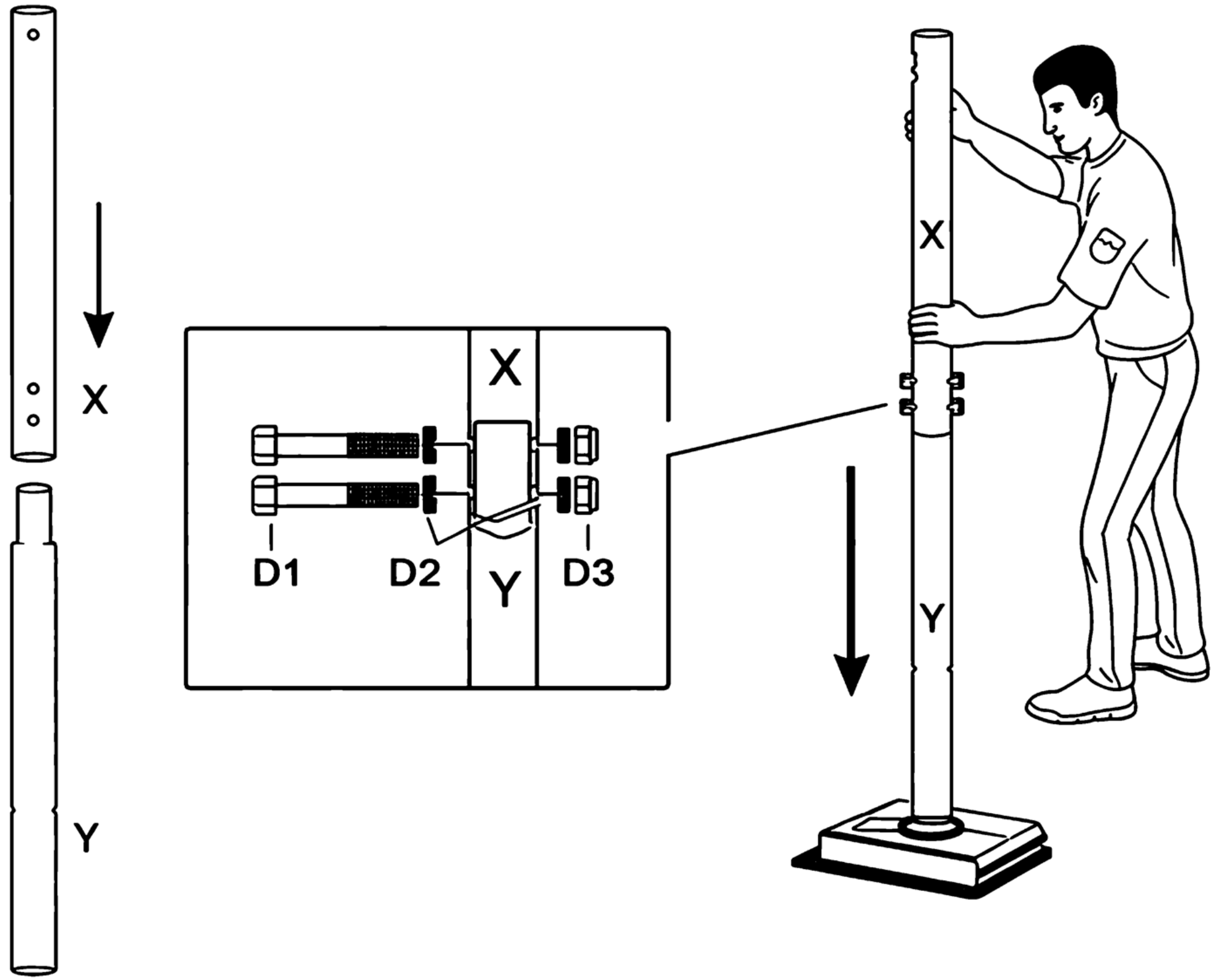
2. Scope of delivery



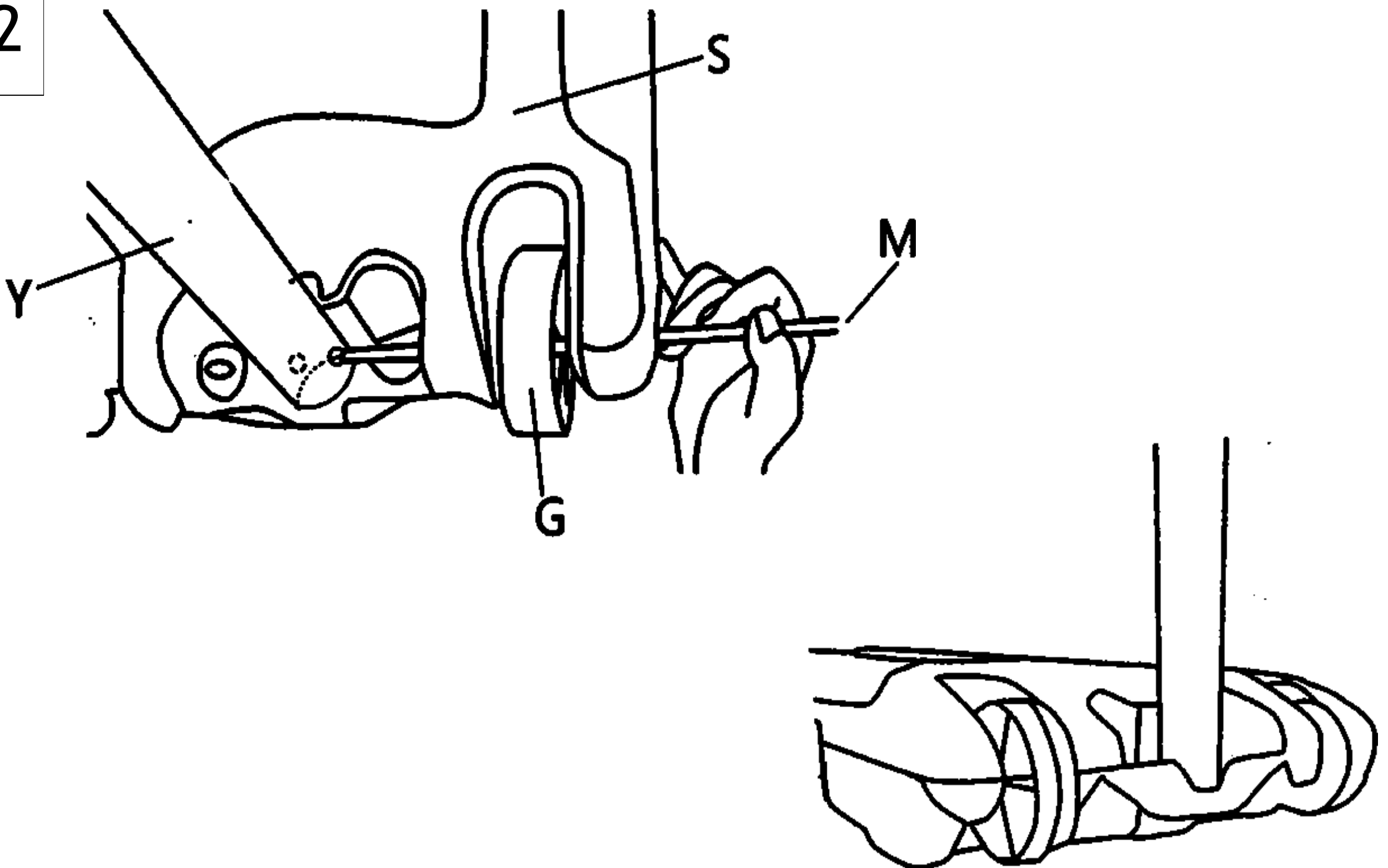
3. Assembly

⚠ Assembly must be performed by two adults.

3.1

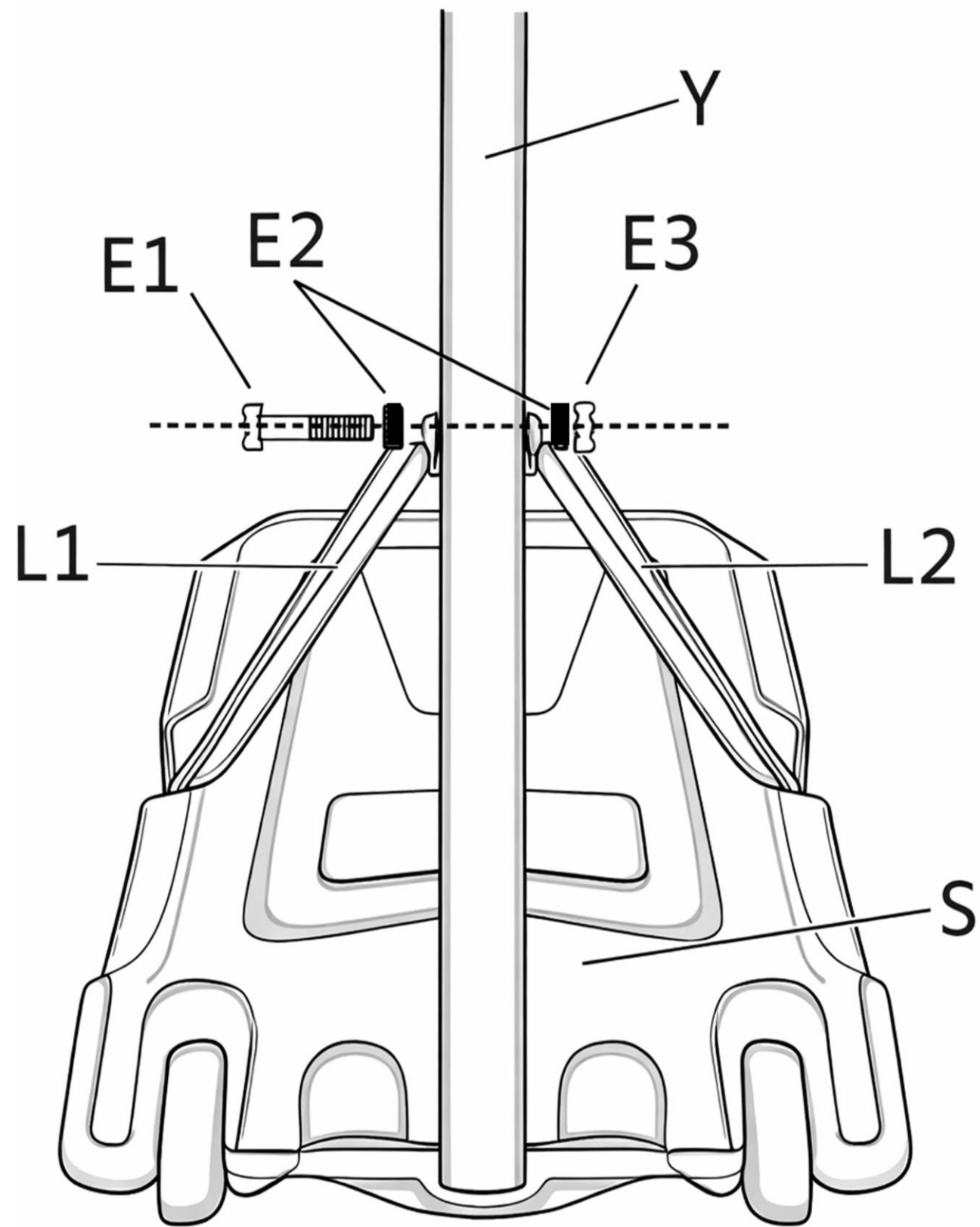


3.2

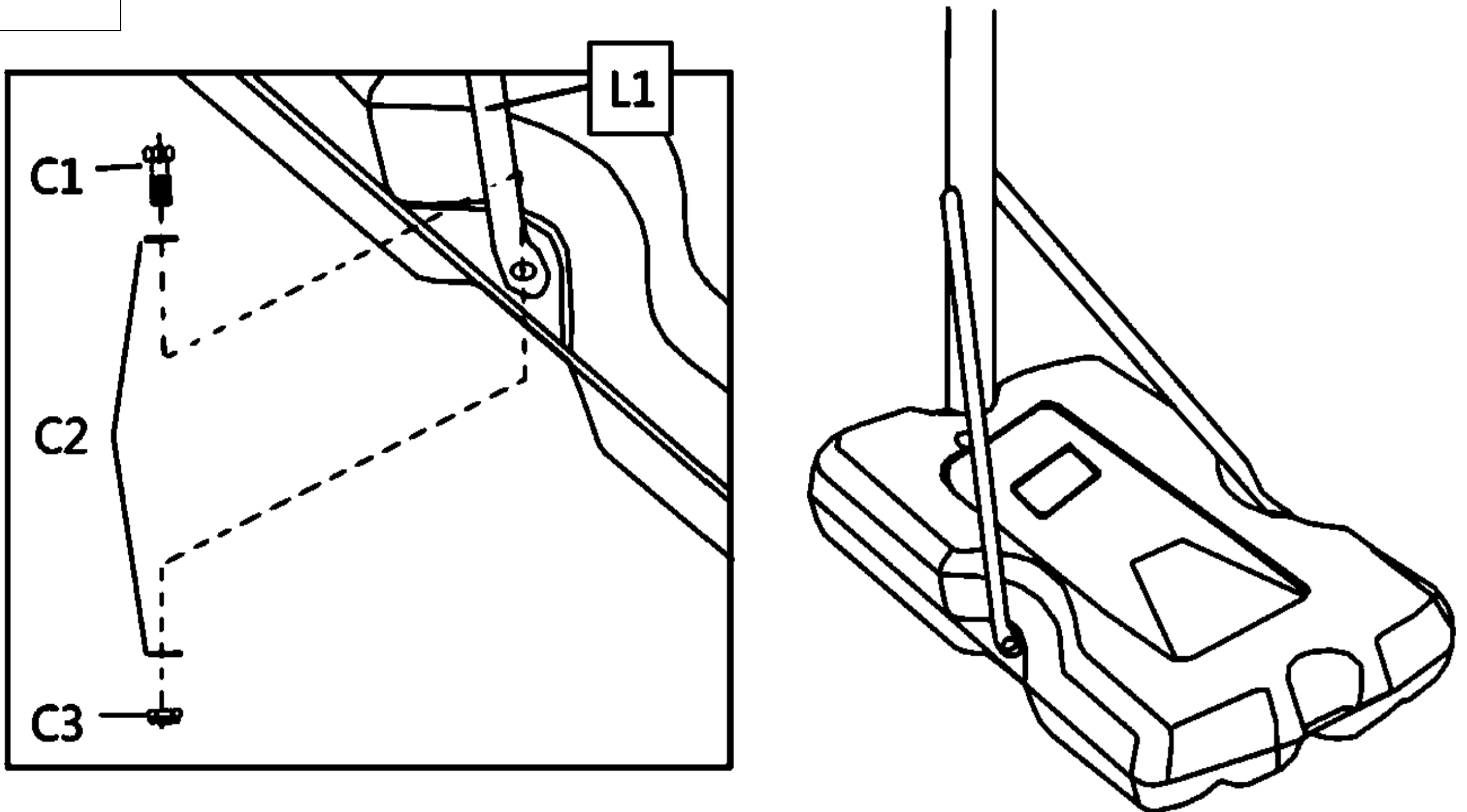


3. Assembly

3.3

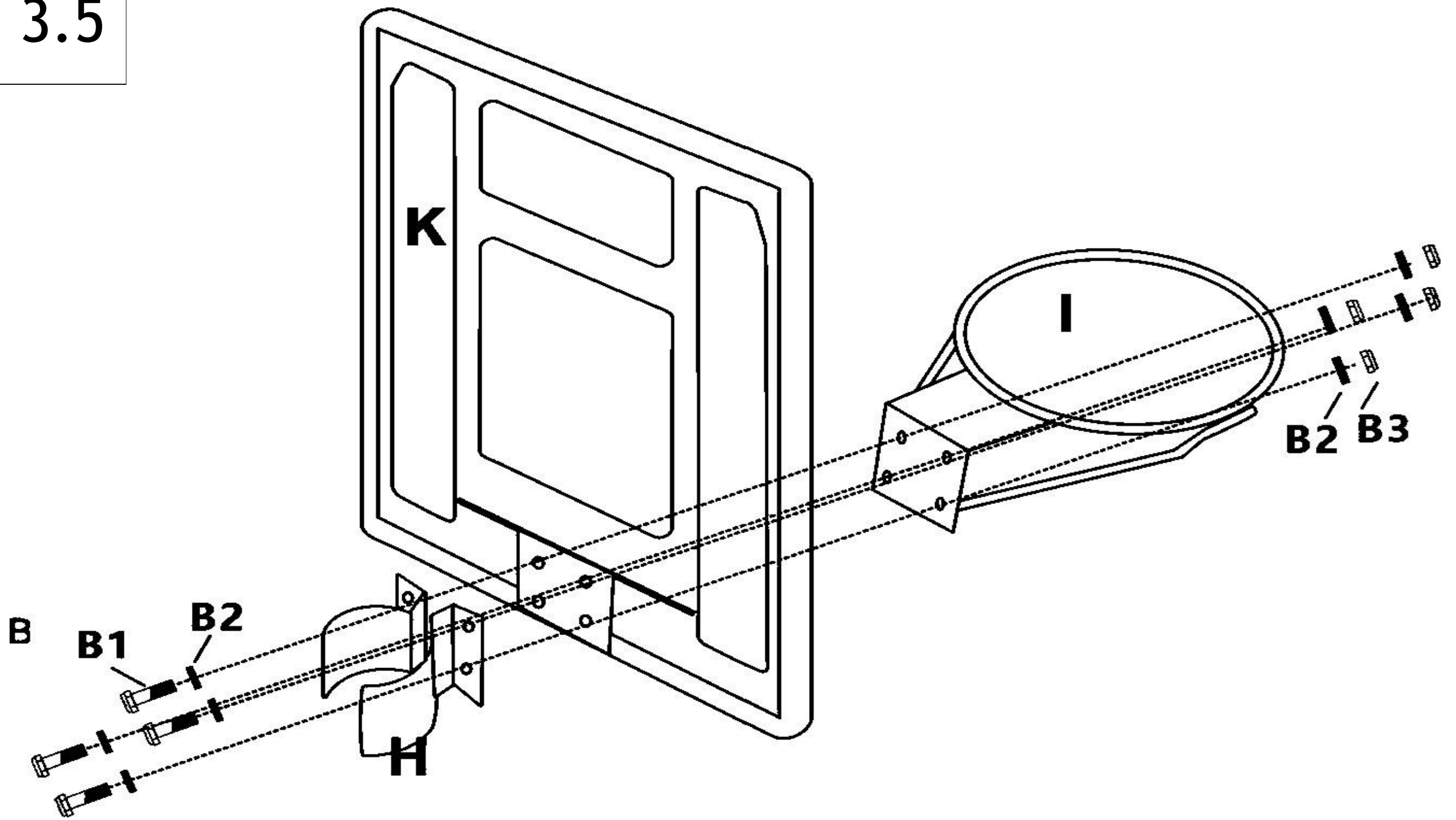


3.4

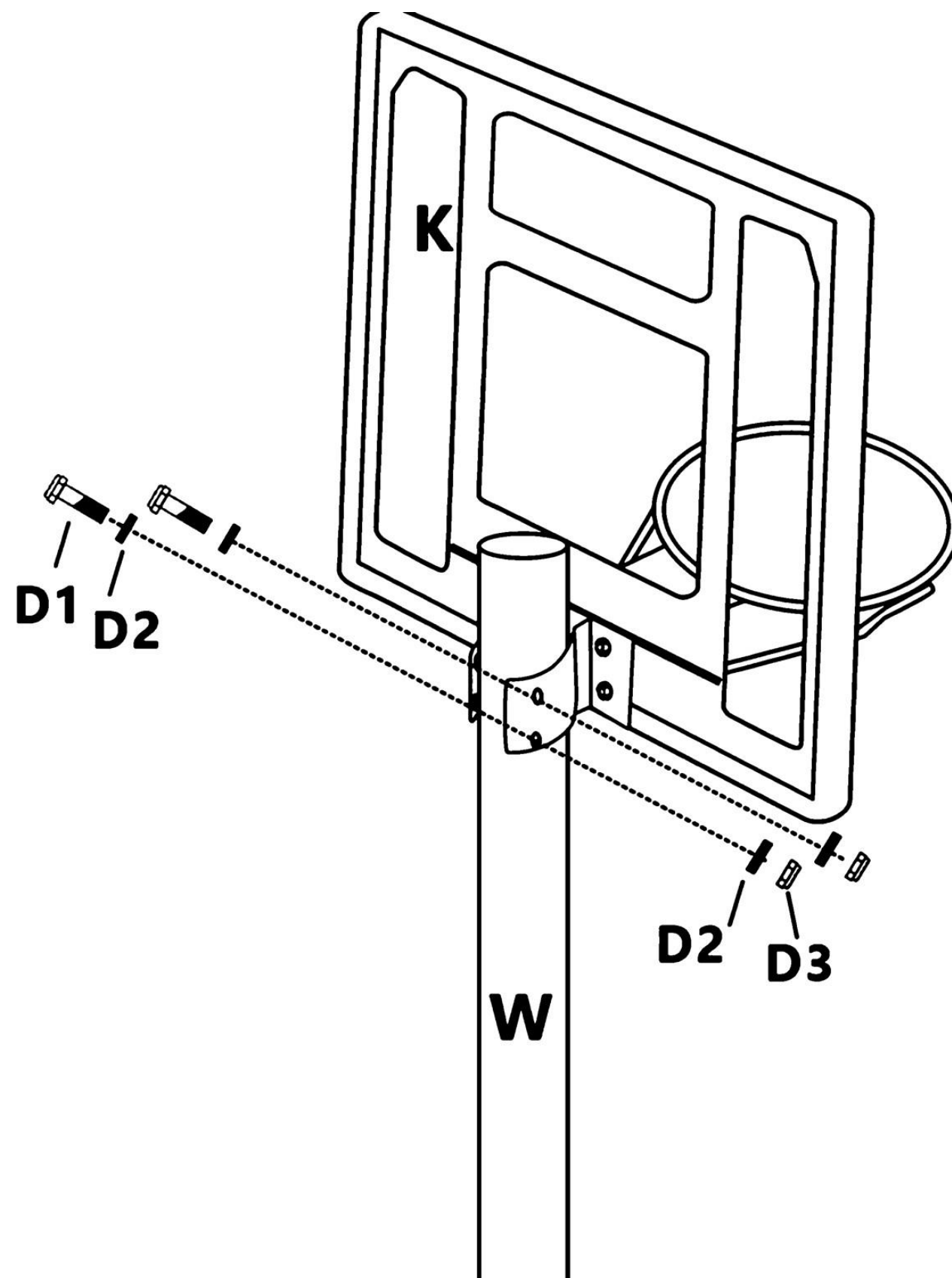


3. Assembly

3.5

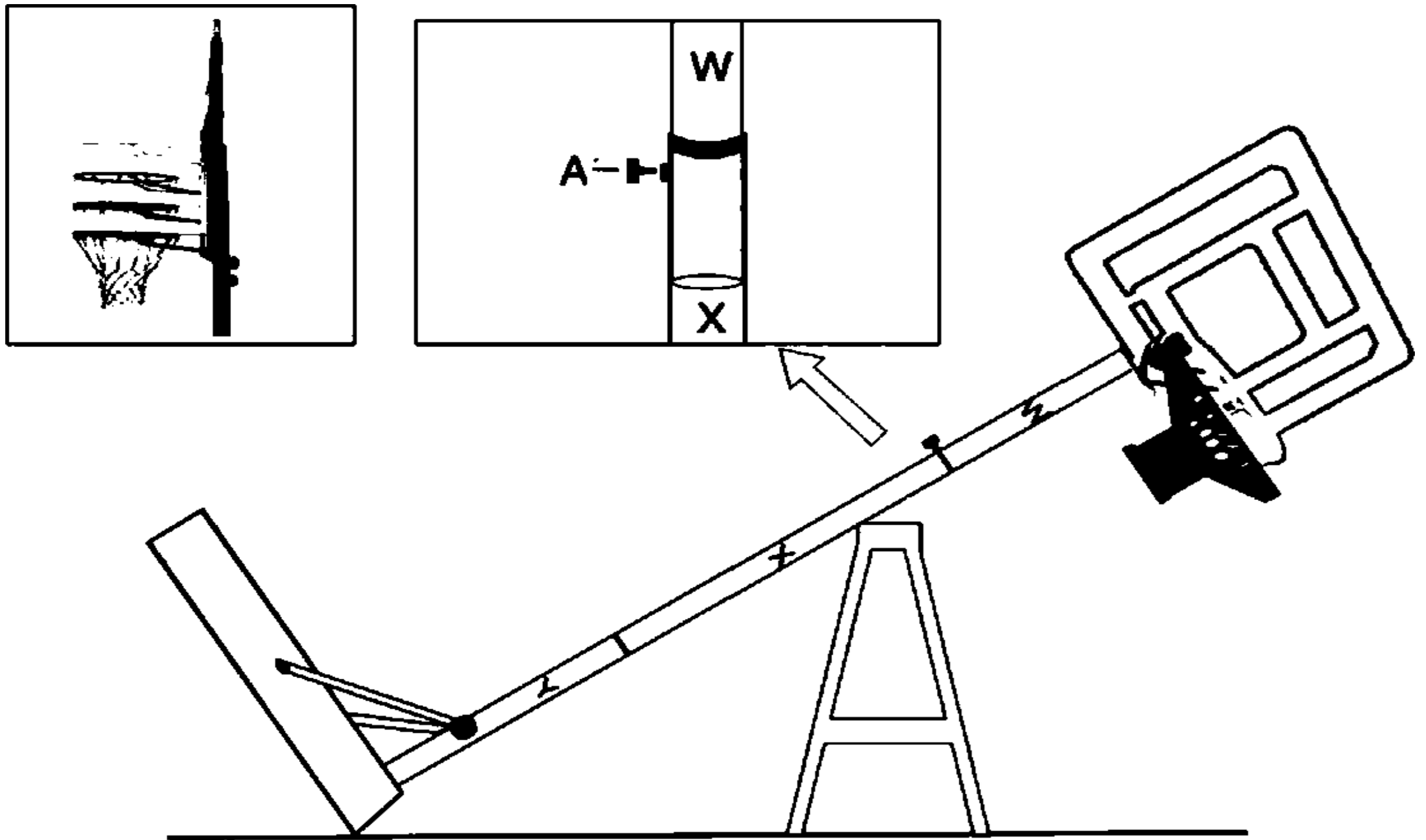


3.6

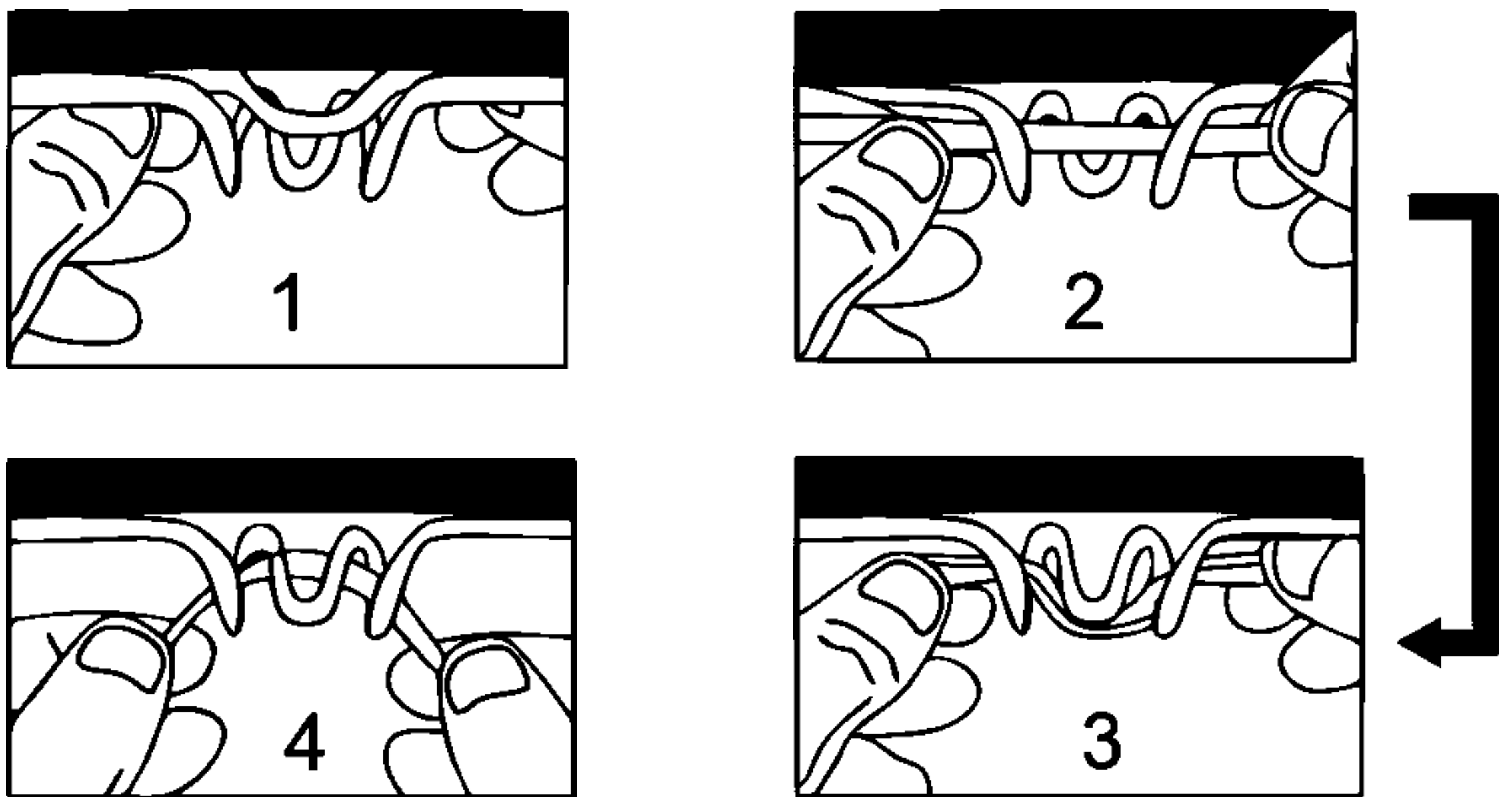


3. Assembly

3.7

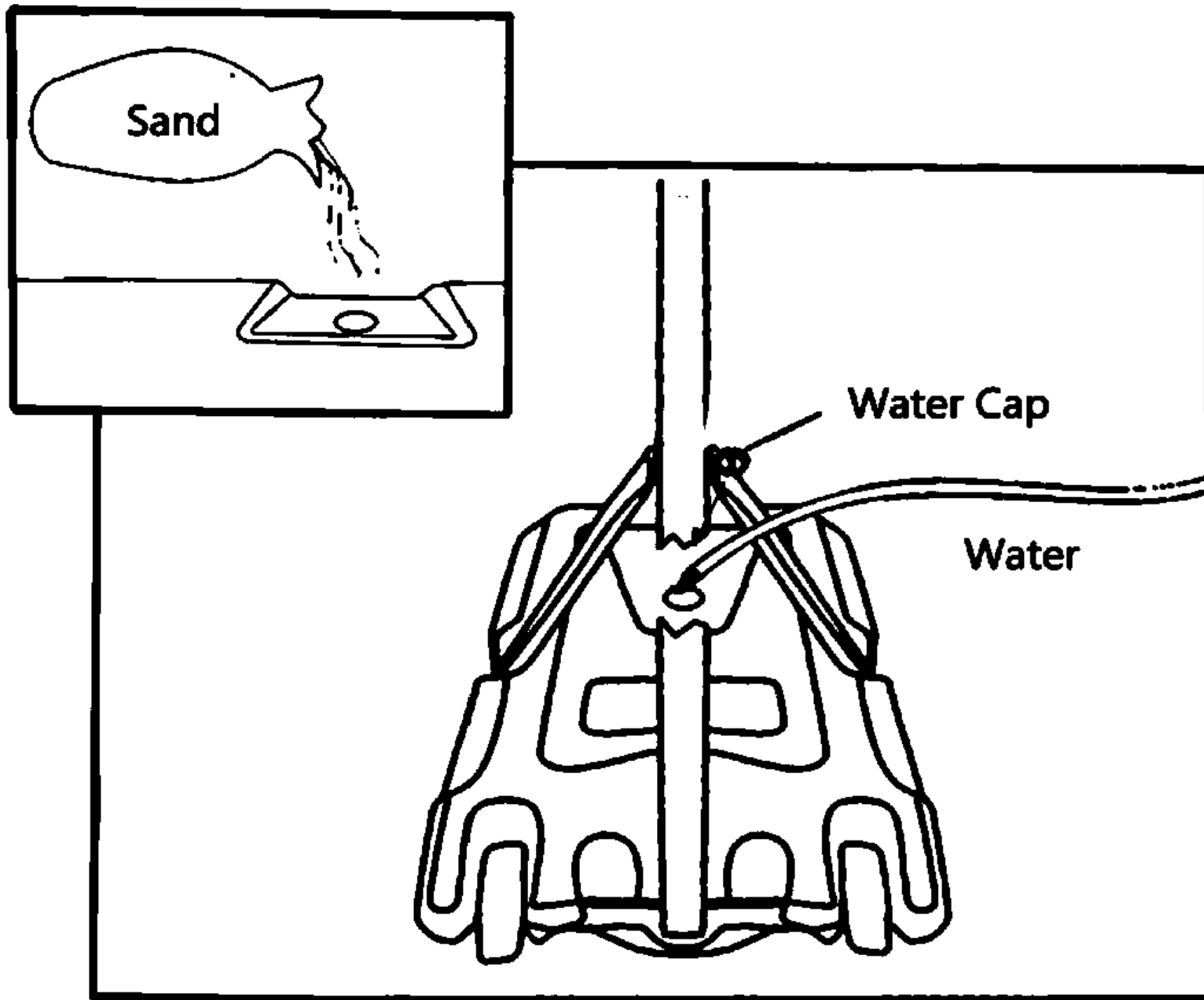


3.8



3. Assembly

3.9



3. Assembly

- **Step 3.1 – Connect Middle Pole (X) to Bottom Pole (Y)**
- Insert the Middle Pole (X) into the Bottom Pole (Y) as shown.
- Align the holes on X and Y. Insert Bolt Set (D1, D2 and D3) through the aligned holes.
- Tighten securely.

- **Step 3.2 – Install Wheel and Base Connection**
- Insert Wheel Shaft (M) through Wheel (G), Base (S) and the bottom of Pole (Y).
- Make sure the shaft passes through all parts as shown.
- Secure the wheel so the base can roll properly.

- **Step 3.3 – Fix Pole Braces (L1 & L2) to Bottom Pole**
- Attach one end of Pole Braces (L1 and L2) to Bottom Pole (Y).
- Use Bolt Set (E1, E2 and E3) to fasten them.
- Tighten firmly.

- **Step 3.4 – Fix Pole Braces to Base**
- Attach the other ends of L1 and L2 to both sides of Base (S).
- Secure using Bolt Set (C1, C2 and C3) on both sides.
- Ensure both braces are tight and symmetrical.

- **Step 3.5 – Install Rim and Bracket on Backboard**
- Place Rim (I) and Bracket (H) onto Backboard (K).
- Fix them using Bolt Set (B1, B2 and B3) as shown.
- Tighten all bolts securely.

- **Step 3.6 – Install Top Pole on Backboard**
- Attach Top Pole (W) to the back of Backboard (K).
- Use Bolt Set (D1, D2 and D3) to secure it.

- **Step 3.7 – Insert Top Pole into Middle Pole**
- Insert Top Pole (W) into Middle Pole (X). Adjust the height to the desired level (110–210 cm).
- Lock the height by tightening the Plastic Head Knob (A).

- **Step 3.8 – Install the Net**
- Attach Net (J) onto Rim (I).
- Follow the sequence shown (1 → 2 → 3 → 4) until the net is fully installed.

- **Step 3.9 – Fill the Base**
- Open the Water Cap on Base (S).
- Fill the base with water or sand until completely full.
- Close the cap tightly.
- ⚠ Never use the basketball system without a fully filled base.

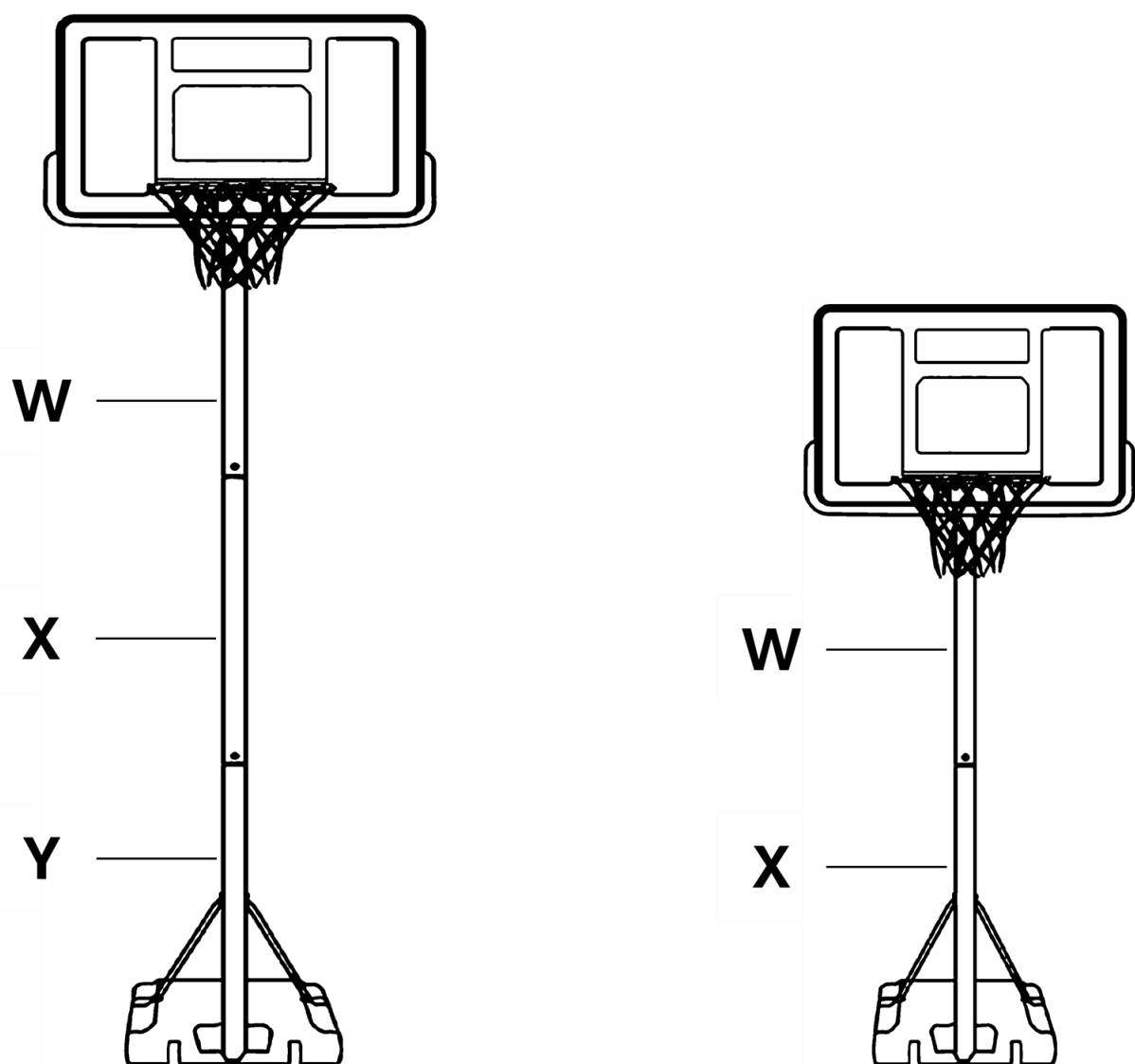
TIPS: Fill the base with water or sand through the water cap. Use water if the system needs to be moved, and use sand if it will stay in one place for better stability. In cold weather, use sand because water may freeze and damage the base.

Water Filling: When filling the base with water, keep the hose about 1 cm above the opening. Do not insert the hose into the inlet, as this may cause uneven pressure and damage the base.

Final Check

Make sure all bolts are tight and Ensure the base is filled
Check the system is stable before play

4. HEIGHT ADJUSTMENT



(1) Adjust the Height

ATTENTION! Adult operation only. Do not adjust during play.

- Hold the pole/backboard to prevent tipping.
- Loosen the plastic head knob (A) that locks the pole.
- Slide the upper pole (W) up or down to the desired height.
- Tighten knob (A) firmly until the pole is locked and cannot move.

Important: After adjustment, make sure the pole is securely locked before use.

(2) Switch Between 2-Pole and 3-Pole Design

- This system supports two configurations:
- **3-pole design: W + X + Y**
- **2-pole design: W + X**

To change from 3 poles (W + X + Y) to 2 poles (W + X)

- Hold the pole/backboard to prevent tipping.
- Loosen and remove bolts (D1, D2, D3) that connect Middle Pole (X) to Bottom Pole (Y).
- Loosen and remove bolts (E1, E2, E3) that connect Bottom Pole (Y) to the Base.
- Remove the Bottom Pole (Y).
- Reassemble the system according to the 2-pole (W + X) configuration.

To change from 2 poles (W + X) to 3 poles (W + X + Y)

- Hold the pole/backboard to prevent tipping.
- Loosen and remove bolts (E1, E2, E3) that connect Middle Pole (X) to the Base.
- Insert Bottom Pole (Y) into the Base.
- Install and tighten bolts (E1, E2, E3) to secure Y to the Base.
- Insert Middle Pole (X) onto Bottom Pole (Y). Install and tighten bolts (D1, D2, D3) to secure X to Y.
- Make sure all bolts are fully tightened before use.

⚠ Safety Notes

- **Adult operation only.**
- **Never adjust the height or pole configuration while the system is in use.**
- **Always ensure bolts (D1–D3, E1–E3) and knob (A) are fully tightened before play.**

5. Maintenance & Storage

- **Before each use, check that:**
 - The base is fully filled with water or sand
 - All screws and fasteners are tight
 - The pole, rim, and backboard show no signs of damage, wear, or corrosion
- **Do not use the product if any part is damaged or loose.**
- Clean the system using water or mild soapy water only.
- Do not use aggressive cleaning agents.
- **If rust appears:**
 - Repaint with outdoor-grade paint
 - If the metal is corroded through, stop using the product and replace the part immediately
- **For outdoor storage:**
 - Place the system in a sheltered location
 - Keep away from grass, dirt, leaves, and standing water
- If wind speed exceeds 40 km/h, lay the product flat or move it to a protected area to prevent tipping.

6. Technical data

EAN	4252023129947
MODEL	KM-HE-BK210
Dimension	77 x75 x245 cm
Adjustable Height	110 – 210 cm
Basketball ring	Ø 38 cm
Backboard size	70 × 45 cm
Base size	75 × 45 × 13 cm
Material	Steel, PE, Nylon
Weight	8 kg
Delivery Content	1 × Basketball stand (base, poles, backboard and rim) 2 × Basketball nets 1 × User manual

- **We reserve the right to make technical and visual changes to the article in the course of product improvements.**

7. Environmentally friendly disposal

- **Warning!** from the risk of suffocation! Packaging material is dangerous for children. Never let children play with packaging material.
- Packaging materials: The packaging consists of environmentally friendly, recyclable materials. Please dispose of them through your local recycling facilities in accordance with regulations.
- Product disposal: For information on proper disposal of the used product, please contact your local municipal or city authorities.

8 Contact with us

Tel.: +44 (0) 208 068 5604

Mail: info@km-fit.co.uk

The return address can be found in the imprint: <https://www.km-fit.com>

Office address :

AREBOS GmbH

Industriestr.24 , 97297 Waldbüttelbrunn, Germany

EU Declaration of Conformity



We, the AREBOS GmbH
Industriestr.24
97297 Waldbüttelbrunn, Germany

declare, under sole responsibility, that the following product:

Brand 

Product Basketball System

Product Model KM-HE-BK210
Article EAN 4252023129947

has been developed, designed and manufactured in accordance with the requirements of European directives: 2009/48/EC

The subject matter of the declaration described above is in accordance with the relevant harmonisation legislation of the European Union.

The assessment shall be based on the following harmonised standards applied: EN 71-1:2014+A1:2018
EN 71-2:2020
EN 71-3:2019+A1:2021

Other applied technical standards and specifications: N/A

Place and date of issue: Waldbüttelbrunn, 13/01/2026

Signature: 

Dipl.-Inform. (Univ.) Korhan Canbolat, Managing Director