

AREBOS

Car loading ramp hydraulic lift

AR-HE-AH1ST

User's manual



Please follow all security measures in this user's manual to ensure a secure use.



Thank you for trusting in AREBOS.

Please read and save these instructions. Read through this user's manual carefully before using product. Protect yourself and others by observing all safety information, warnings and cautions. Failure to comply with instructions could result in personal injury and/or damage to product or property. Please retain instructions for future reference.

SAFETY INSTRUCTIONS

Explanation of the symbols

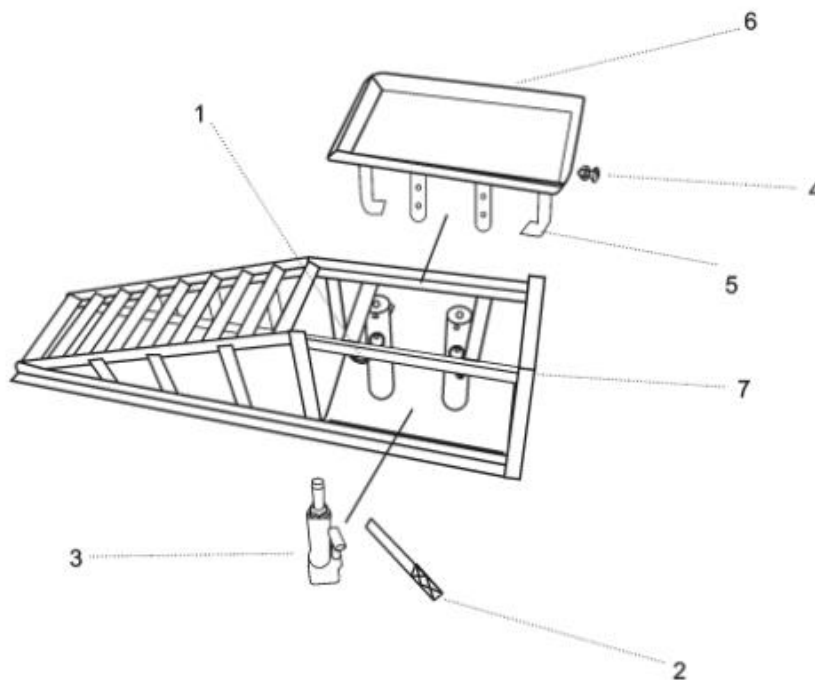


By means of a CE marking, it can be recognized that a product complies with the legal requirements of European legal standards and therefore may be traded within the European Community.

General safety instructions

- Do not exceed the maximum loading capacity.
- Position the hydraulic lift on a firm and even surface.
- Do not operate under the loading without further supportive items.
- Provide enough light in the working area.
- Keep the working area clean.
- The ramp is not designed to be transported, operate only in the working area.
- Read through this user's manual carefully before using product.

CONTAINING PARTS



Nr.	Name	Quantity
1	Pins	2
2	Handle	1
3	Jack	1
4	Screw	2
5	Hook	2
6	Tire tray	1
7	Car ramp body	1

TECHNICAL SPECIFICATIONS

Product size	45.28 x 12.8 x 11.42 in (1150 x 325 x 290 mm)
Capacity	4409 lbs (2 t)
Material	Steel
Opening height	11 in (280 mm)
Working width	10.04 in (255 mm)
Adjustable height	11 x 14.76 x in (280 – 375 mm)
Platform size (L x B)	15.35 x 10.24 in (390 x 260 mm)
Net weight	46.3 lbs (21 kg)
Color	Red

DISPOSAL INSTRUCTION

Disposal of the packaging

- Please make reference to the guidelines and standards for appropriate disposal of the packaging valid in your region. In part, the package may consist of plastic bags - watch this respect, with special care to ensure that this is not out of the reach of children. There is a risk of suffocation!

Disposal of waste equipment

- Equipment must be disposed of in accordance with the rules and regulations of the local waste disposal.

Our customer service number: +49 (0) 931-45232700

EU Declaration of Conformity

We,

Canbolat Vertriebs GmbH, Gneisenaustraße 10-11, 97074 Würzburg, Germany,

Hereby declare that the product named below, seen its design and construction as well as according to our sales, has been complied with the relevant and basic health and safety EU-requirements.

Name of the product: AREBOS Car Loading ramp hydraulic lift
Model Nr.: AR-HE-AH1ST
Art. Nr.: 4260199757468

If the product has any modification not allowed by us, this declaration loses its validity.

Tested acc. to:
EU Standard:
BS EN 1494: 200+A1: 2008
EN12100: 2010
Reference Directive(s): 2006/42/EC Machinery Directive Annex-1

Date/Manufacturer Signature/Location:

Würzburg, 25.09.2018



Identification of the signatory:
Korhan Canbolat, head of the company

Authorised representative for the technical documentation:
Korhan Canbolat

Office address:
Canbolat Vertriebs GmbH
Gneisenaustraße 10-11
D-97074 Würzburg

Return address can be found in the imprint: <https://www.arebos.de/impressum/>

VAT identification number: DE 263752326
Court of the Commercial Register is Würzburg, HRB 10082
WEEE Reg.-No. DE 61617071